

## BLACK-STONE ST Fiber Adaptors



BLACKSTONE ST simplex adapters are available with metal housing and a precision zirconia ceramic split sleeve for providing low loss fiber connections over high and low-temperature extremes. ST adapters are suitable for any data center, central office, MDU, CATV, or PON cabling installations using ST connectors.

### FEATUERS

- Low insertion loss
- Dust protection caps as standard
- High repeatability and high thermal stability
- Metal construction
- Precision zirconia ceramic split sleeve

### APPLICATION

Single-mode and multimode ST adapters shall meet or exceed the requirements in TIA-568.3-D and TIA-604-2, FOCIS-2, GR-326, or IEC 61300-2. Adapters shall provide < 0.2 dB insertion loss and support an operational temperature range of -40 °C to +85 °C and come with a lock washer, hex nut, and red protective caps designating

### STANDARDS

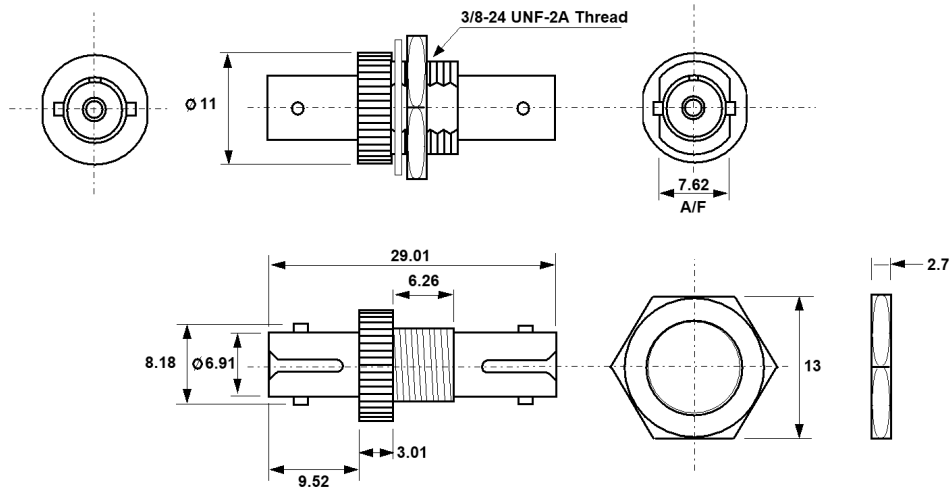
- TIA-568.3-D
- TIA-604-2, FOCIS-2
- GR-326 or IEC 61300-2
- RoHS

### MECHANICAL SPECIFICATIONS

Insertion Loss Single-mode	< 0.2 dB
Insertion Loss Multimode	< 0.2 dB
Operating Temperature	-40 °C to +85 °C

Black-stone

## ELECTRONIC FILES



## ORDER INFORMATION

Description	Part. No
Coupler ST Single mode	BS-S-STST-SPC
Coupler ST Multimode	BS-S-STST-MPC

Note: Adapters are sold individually bagged with a minimum order quantity of 50.