

# BLACK-STONE Fiber optic patch panel

## Fully Loaded ODF-BSSX24-12SC/PJ



ODF-BSSX24-12SC/PJ is a fiber optic patch panel with 24pcs SC simplex adapter port used for 24 optical fiber splicing, distribution, terminal connection, and management. It is 19-inch rack mounted sliding type and applicable to existing systems.

### FEATUERS

- Very high density supports up to 12 duplex LC adapters (24 fibers), MT-RJ adapters (24 fibers) and simplex SC adapters (24 fibers) in 1U of rack space.
- Pullout drawer enables ease of access to the fiber.
- Wide range of fiber optic cabling management accessories, including fiber management clip, splice cassettes, cable grounding kits, cable entry gland and more
- Single-Mode and Multi-Mode adapter available
- Configurable rack mounting brackets allow for recessed panel mounting, enhancing cable protection.
- Large work area for comfortable installation
- Rear cable entry cutouts including one cable entry gland.
- Unused adapter ports are covered by port caps.

### APPLICATION

- CATV, LANs, WANs
- Active device termination
- Telecommunication networks
- Metro
- Data Processing networks
- Test Equipment.

### SPECIFICATON

Model	ODF-BSSX24-12SC/PJ
Dimensions	482x317.3x45.5mm
Capacity	24 fibers
Adaptor Port	12 SC Duplex
Materials	Cold roll steel
Splice Tray	2psc

### INCULDING

- x12 SC Coppler;
- x12 SC pigtails

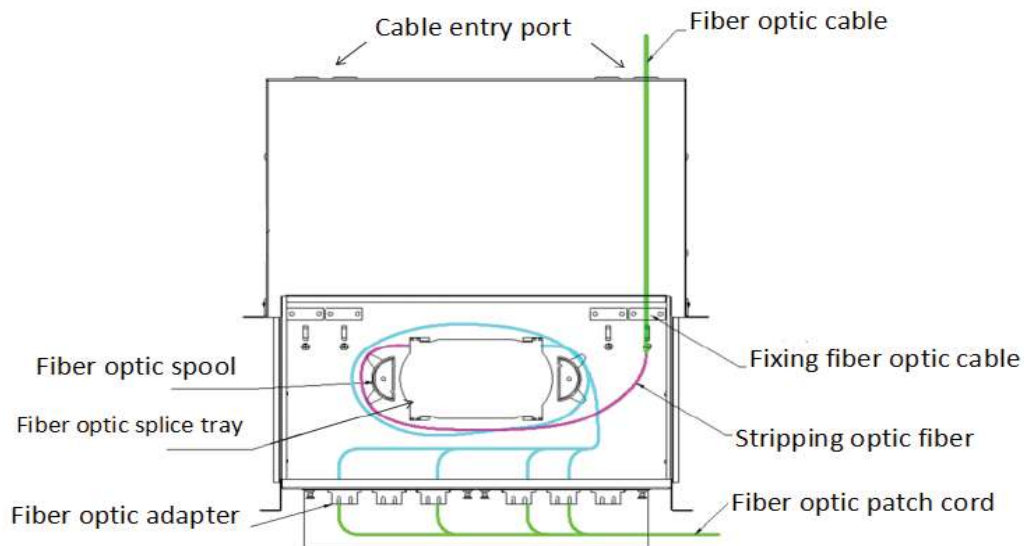
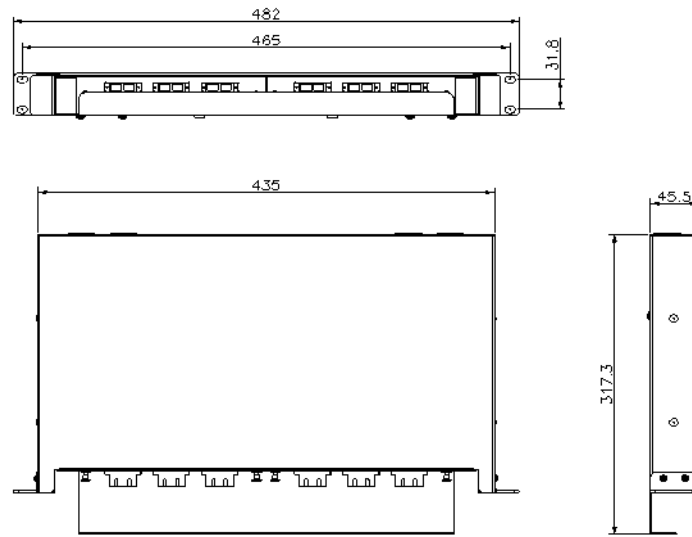


x12 SC Coppler  
BA-D-SCSC-SPC



x12 SC pigtails  
CSCA-1-1-LSZH3M

## ELECTRONIC FILES

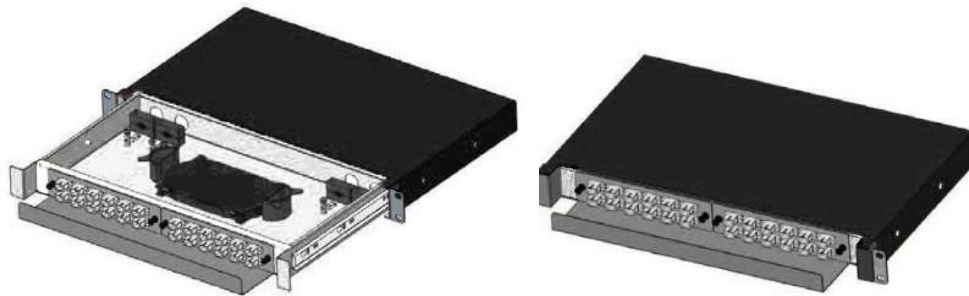


### Instruction

1. install fiber optic patch panel into 19-inch cabinet; draw out the patch panel.
2. Install fiber optic adapters and fiber optic pigtailed into patch panel.
3. Put fiber optic cable entry fiber optic patch panel, fixing the cable.
4. Stripping out the cable, splice the stripping optic fiber and pigtailed, then protected by heat shrinkable sleeves.
5. Put the heat shrinkable sleeve into the splice tray, then close the splice tray cover.
6. Push back the sliding patch panel, connect fiber optic patch cord, finish installation.

# BLACK-STONE Fiber optic patch panel

## Fully Loaded ODF-BSSX24-12SC/PJ



ODF-BSSX24-12SC/PJ is a fiber optic patch panel with 24pcs SC simplex adapter port used for 24 optical fiber splicing, distribution, terminal connection, and management. It is 19-inch rack mounted sliding type and applicable to existing systems.

### APPLICATION

- CATV, LANs, WANs
- Active device termination
- Telecommunication networks
- Metro
- Data Processing networks
- Test Equipment.

### FEATUERS

- Pullout drawer enables ease of access to the fiber.
- Very high density supports up to 12 duplex LC adapters (24 fibers), MT-RJ adapters (24 fibers) and simplex SC adapters (24 fibers) in 1U of rack space.
- Wide range of fiber optic cabling management accessories, including fiber management clip, splice cassettes, cable grounding kits, cable entry gland and more
- Single-Mode and Multi-Mode adapter available
- Configurable rack mounting brackets allow for recessed panel mounting, enhancing cable protection.
- Large work area for comfortable installation
- Rear cable entry cutouts including one cable entry gland.
- Unused adapter ports are covered by port caps.

### SPECIFICATON

Model	ODF-BSSX24-12SC/PJ
Dimensions	482x317.3x45.5mm
Capacity	24 fibers
Adaptor Port	24 SC simplex
Materials	Cold roll steel
Splice Tray	2psc

### INCULDING

x12 SC Coppler;  
x12 SC pigtaills



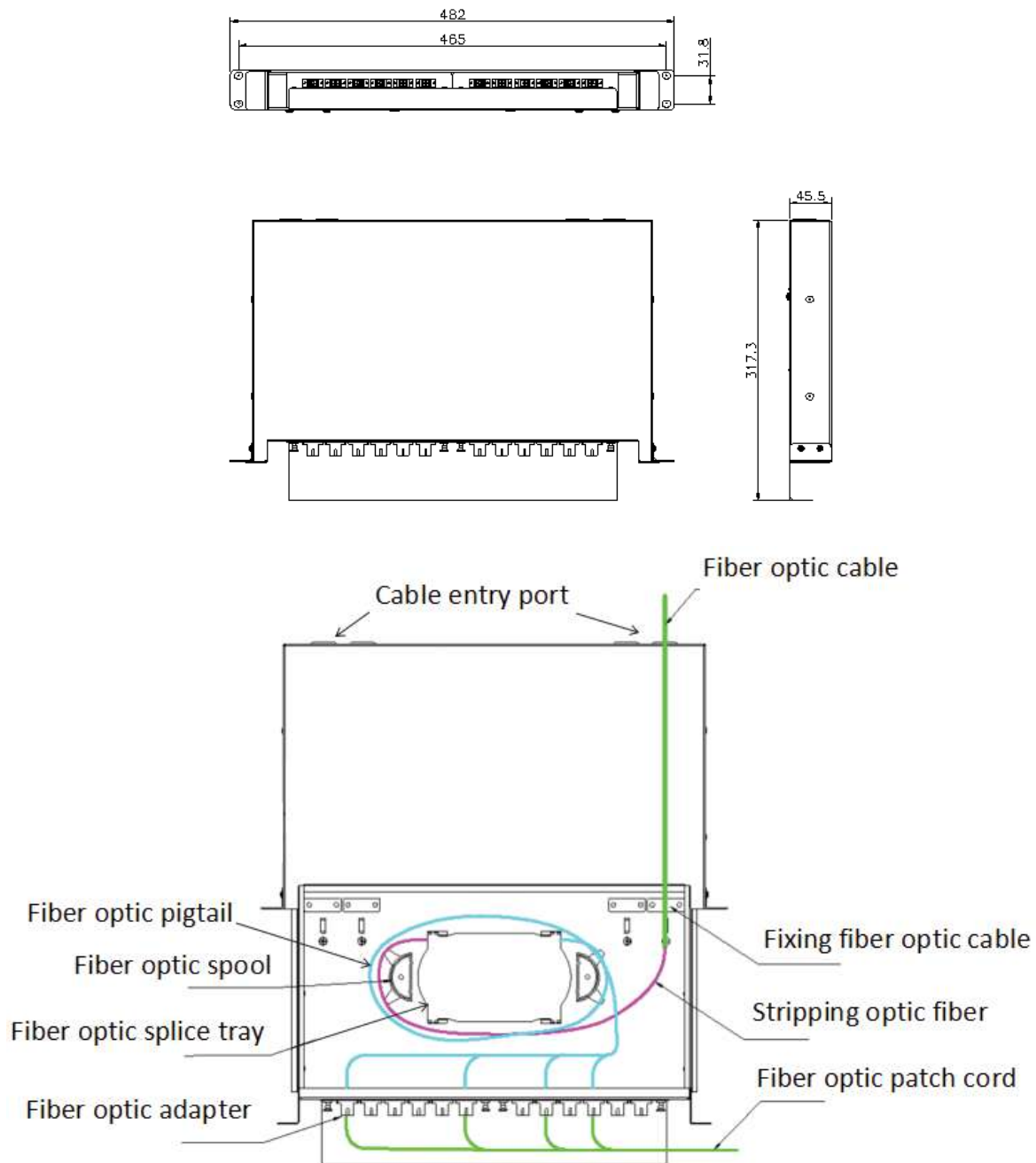
x12 SC Coppler  
BA-S-SCSC-SPC



x12 SC pigtaills  
CSCA-1-1-LSZH3M

# Black-stone

## ELECTRONIC FILES



### Instruction

1. install fiber optic patch panel into 19-inch cabinet; draw out the patch panel.
2. Install fiber optic adapters and fiber optic pigtails into patch panel.
3. Put fiber optic cable entry fiber optic patch panel, fixing the cable.
4. Stripping out the cable, splice the stripping optic fiber and pigtails, then protected by heat shrinkable sleeves.
5. Put the heat shrinkable sleeve into the splice tray, then close the splice tray cover.
6. Push back the sliding patch panel, connect fiber optic patch cord, finish installation.

# BLACK-STONE Fiber optic patch panel

## Fully Loaded ODF-VLINED24-12SC/PJ



### APPLICATION

- CATV, LANs, WANs
- Active device termination
- Telecommunication networks
- Metro
- Data Processing networks
- Test Equipment.

ODF-VLINED24-12SC/PJ is a fiber optic patch panel with 12 SC duplex adapter port used for 24 optical fiber splicing, distribution, terminal connection and management. It is 19-inch rack mounted sliding type and applicable to existing systems.

### FEATUERS

- Wide range of fiber optic cabling management accessories, including fiber management clip, splice cassettes, cable grounding kits, cable entry gland and more
- Single-Mode and Multi-Mode adapter available
- Configurable rack mounting brackets allow for recessed panel mounting, enhancing cable protection.
- Large work area for comfortable installation
- Rear cable entry cutouts including one cable entry gland.
- Unused adapter ports are covered by port caps.
- Very high density supports up to 12 duplex LC adapters (24 fibers), MT-RJ adapters (24 fibers) and simplex SC adapters (24 fibers) in 1U of rack space.
- Pullout drawer enables ease of access to the fiber.

### SPECIFICATON

Model	ODF-VLINED24-12SC/PJ
Dimensions	482.6x255x44mm
Capacity	24 fibers
Adaptor Port	12 SC Duplex
Materials	Cold roll steel
Splice Tray	2psc

### INCULDING

x12 SC Coppler;  
x12 SC pigtails

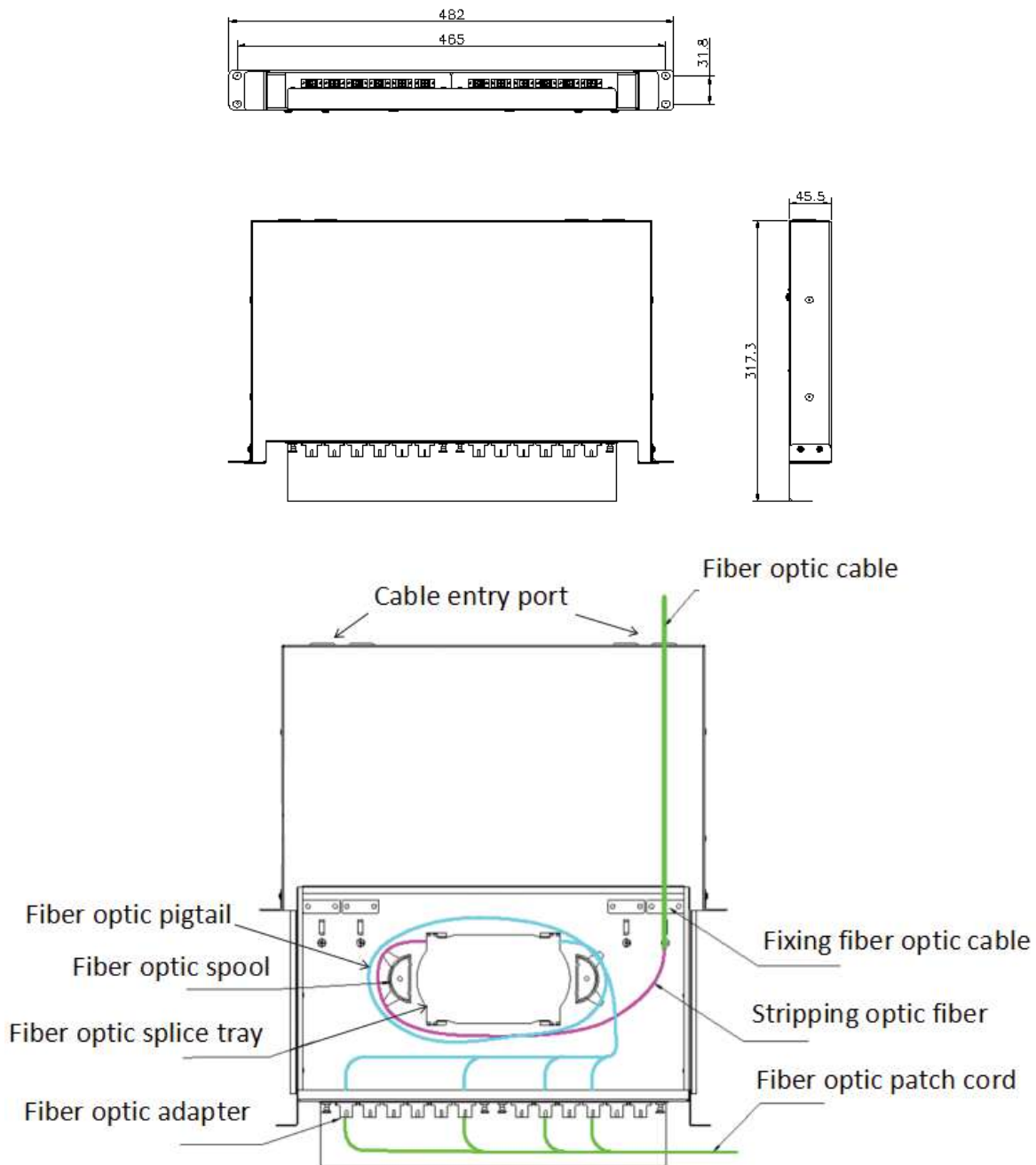


x12 SC Coppler  
BA-D-SCSC-SPC



x12 SC pigtails  
CSCA-1-1-LSZH3M

## ELECTRONIC FILES



### Instruction

1. install fiber optic patch panel into 19-inch cabinet; draw out the patch panel.
2. Install fiber optic adapters and fiber optic pigtails into patch panel.
3. Put fiber optic cable entry fiber optic patch panel, fixing the cable.
4. Stripping out the cable, splice the stripping optic fiber and pigtails, then protected by heat shrinkable sleeves.
5. Put the heat shrinkable sleeve into the splice tray, then close the splice tray cover.
6. Push back the sliding patch panel, connect fiber optic patch cord, finish installation.

# BLACK-STONE Fiber optic patch panel

## Fully Loaded ODF-VLINES24-12SC/PJ



ODF-VLINES24-12SC/PJ is a fiber optic patch panel with 24 SC simplex adapter port used for 24 optical fiber splicing, distribution, terminal connection, and management. It is 19-inch rack mounted sliding type and applicable to existing systems.

### APPLICATION

- CATV, LANs, WANs
- Active device termination
- Telecommunication networks
- Metro
- Data Processing networks
- Test Equipment.

### FEATUERS

- Very high density supports up to 12 duplex LC adapters (24 fibers), MT-RJ adapters (24 fibers) and simplex SC adapters (24 fibers) in 1U of rack space.
- Pullout drawer enables ease of access to the fiber.
- Wide range of fiber optic cabling management accessories, including fiber management clip, splice cassettes, cable grounding kits, cable entry gland and more
- Single-Mode and Multi-Mode adapter available
- Configurable rack mounting brackets allow for recessed panel mounting, enhancing cable protection.
- Large work area for comfortable installation
- Rear cable entry cutouts including one cable entry gland.
- Unused adapter ports are covered by port caps.

### SPECIFICATON

Model	ODF-VLINES24-12SC/PJ
Dimensions	482.6x255x44mm
Capacity	24 fibers
Adaptor Port	24 SC simplex
Materials	Cold roll steel
Splice Tray	2psc

### INCULDING

x12 SC Coppler;  
x12 SC pigtaills



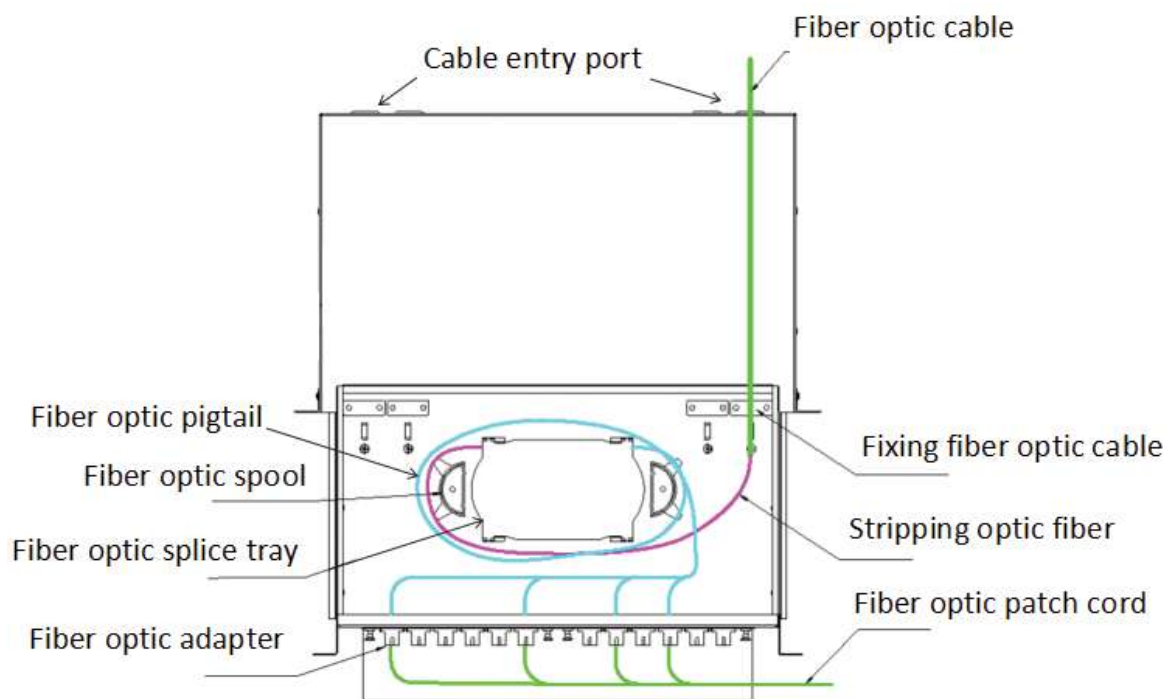
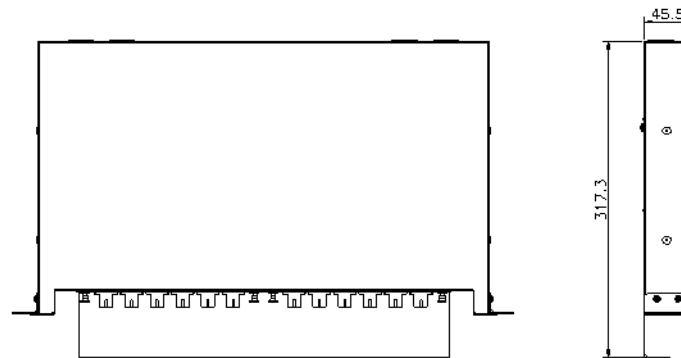
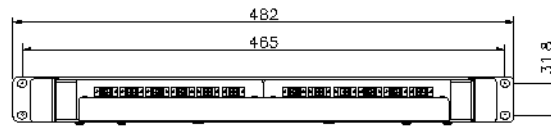
x12 SC Coppler  
BA-S-SCSC-SPC



x12 SC pigtaills  
CSCA-1-1-LSZH3M

# Black-stone

## ELECTRONIC FILES



### Instruction

1. install fiber optic patch panel into 19-inch cabinet; draw out the patch panel.
2. Install fiber optic adapters and fiber optic pigtails into patch panel.
3. Put fiber optic cable entry fiber optic patch panel, fixing the cable.
4. Stripping out the cable, splice the stripping optic fiber and pigtails, then protected by heat shrinkable sleeves.
5. Put the heat shrinkable sleeve into the splice tray, then close the splice tray cover.
6. Push back the sliding patch panel, connect fiber optic patch cord, finish installation.