

Infrastone information technology create an excellence in the future

Fashion and selection
Introduction of our products:



BSB CABINET

CABINET & ENCLOSURE



Products Description

Infrastone's cabinets are the ideal solution for intermediate sized networks offering versatility and convenience saving valuable space within any office suite. Supplied fully assembled as standard, the case can be stripped down to the basic framework in a matter of seconds via the slide and connect panel



Features and benefits

- Meet the requirement of ANSI/EIARS-310-D . criteria to manufacture
- Material : seamless steel board . Good ventilation and heat dispersing
- User can add the cable fixtures accordingly
- Powder coated to protect against rust , oxidization , scratches , lacquer peeling , strong acid and alkali erosion
- Flexible vertical rail' s thickness must higher than 2mm
- Framework using high strength steel with a 60kg . weight capacity
- the wall box range offers the customers an economic and cost-effective solution for smaller installations where space is limited
- Network hardware can be installed in confined spaces and out of sight/off the floor locations
- it has been widely applied in the field of computer data network , page , wiring , Pa broadcasting , sound-track system , subway train

The end to end network cabling solution

Infrastone information technology co.,ltd

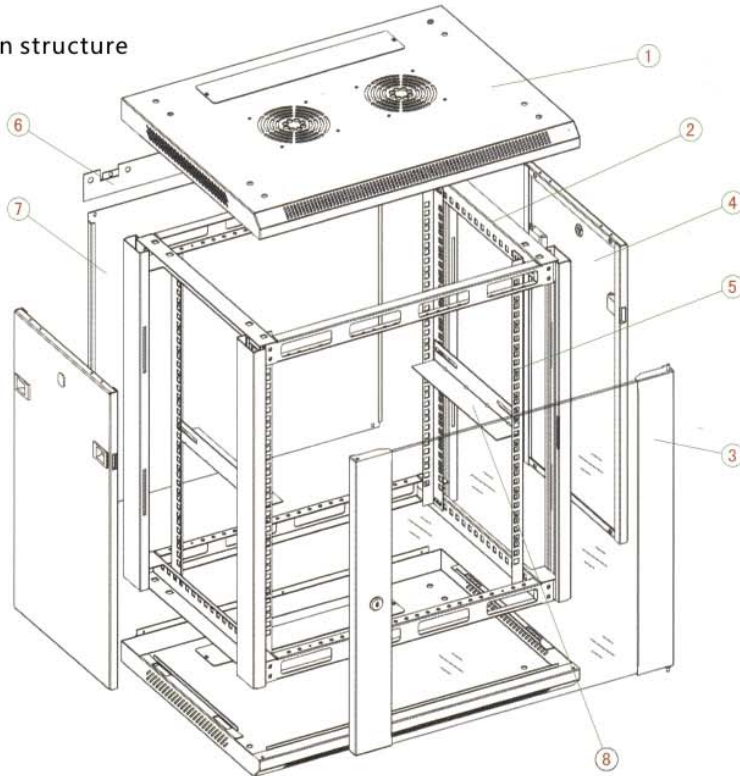
BSB CABINET

CABINET & ENCLOSURE



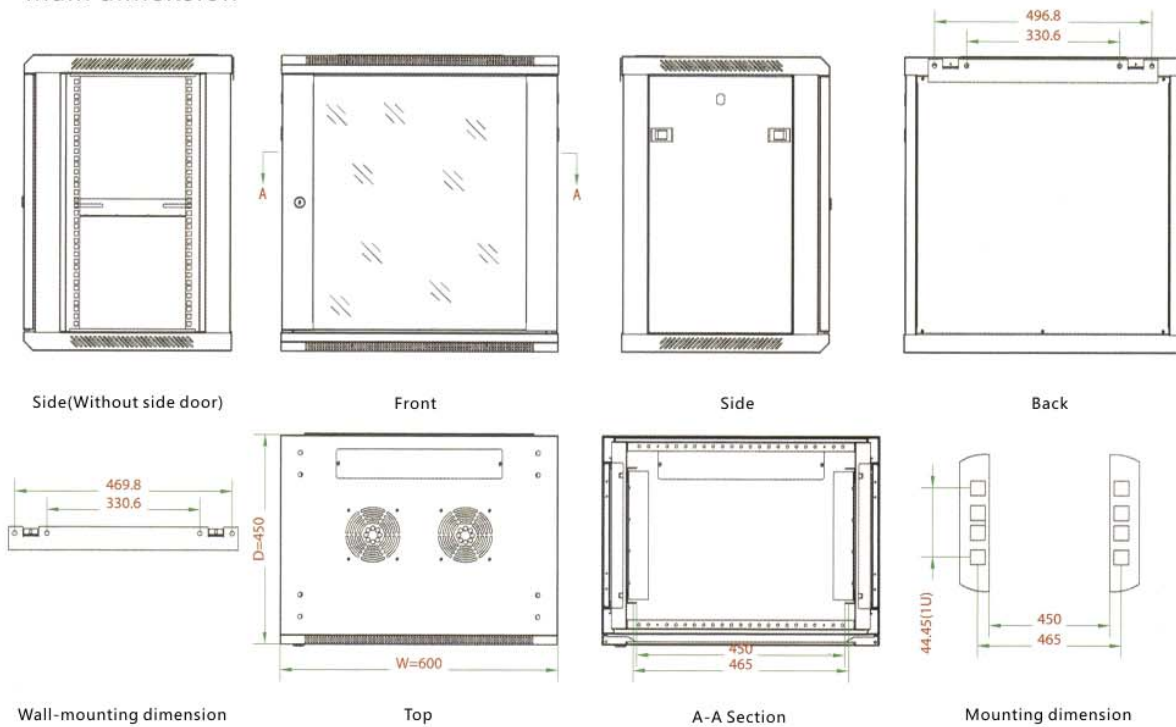
Presentation

Main structure



- 1.Top cover
- 2.Frame
- 3.Tempered glass door
- 4.Side door
- 5.Mounting rail
- 6.Hanger
- 7.Back panel
- 8.L rail

Main dimension



The end to end network cabling solution
 Infrastone information technology co.,ltd