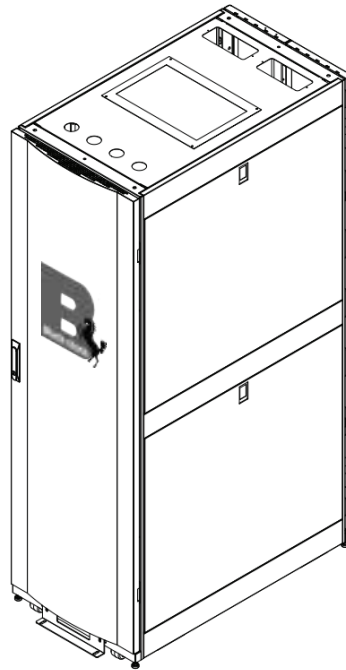


Black-Stone Server Spring Cabinet SER

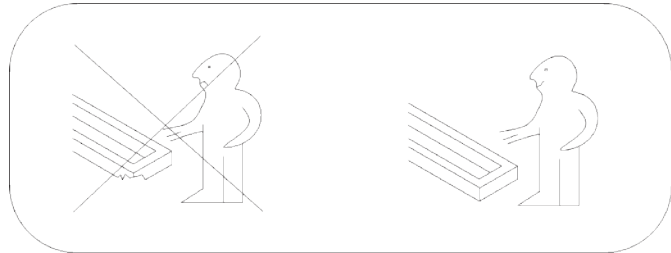
OWNER'S MANUAL



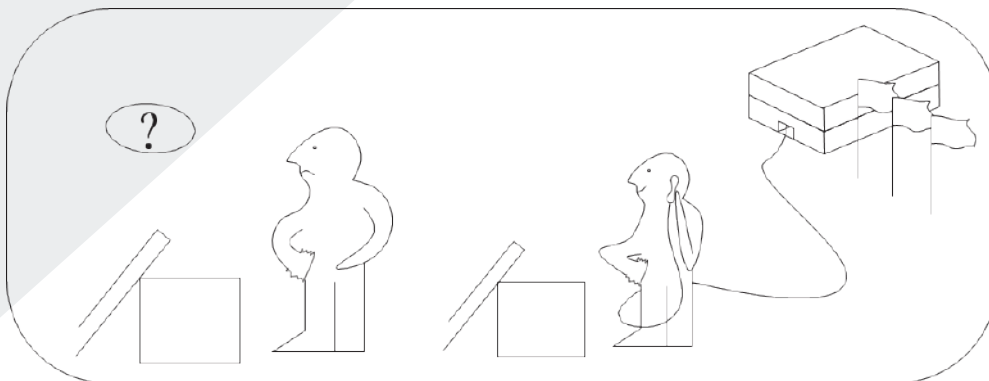
PART NO.	CAPACITY/U	WIDTH/MM	DEPTH/MM	HEIGHT/MM	Carton measurement			VOLUME/CBM
					WIDTH/M	DEPTH/M	HEIGHT/M	
SER37-66-	37U	600	600	1800	0.65	0.65	1.80	0.7605
SER37-68-		600	800		0.65	0.85		0.9945
SER37-610-		600	1000		0.65	1.05		1.2285
SER37-88-		800	800		0.85	0.85		1.3005
SER37-810-		800	1000		0.85	1.05		1.6065
SER42-66-	42U	600	600	2000	0.65	0.65	2.00	0.845
SER42-68-		600	800		0.65	0.85		1.105
SER42-610-		600	1000		0.65	1.05		1.365
SER42-88-		800	800		0.85	0.85		1.445
SER42-810-		800	1000		0.85	1.05		1.785
SER42-81200-		800	1200		0.85	0.65	2.20	0.9295
SER47-68-	47U	600	800	2200	0.65	0.85		1.2155
SER47-610-		800	1000		0.65	1.05		1.5015
SER47-88-		800	800		0.85	0.85		1.5895
SER47-810-		800	1000		0.85	1.05		1.9635

Keep this information for further reference.
Thank you for purchasing an InfraStone product.

Please examine the product for any damaged parts. If any part is damaged or missing, contact infrastone for assistance. Do not attempt to install or use product if it has been damaged. This product contains small items that could be a choking hazard – keep these items away from children.



Do not use with equipment that is heavier than the indicated weight capacity for this product. This product is designed to be installed indoors on wood stud walls, solid concrete walls or brick walls. Make sure that the supporting surface will safely support the weight of the equipment and all attached hardware and components. It is recommended that installation be performed by a qualified installer. infrastone not be held responsible for damage to equipment or personal injury resulting from improper use or installation of product.

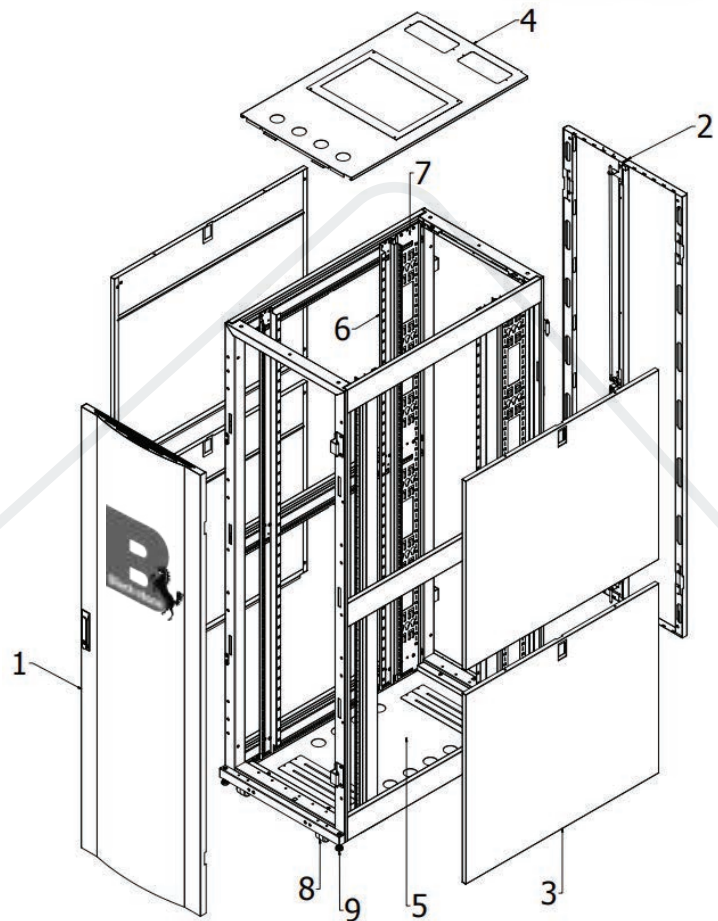


Maintenance: Check that the product is secure and safe to use at regular intervals (at least every three months).

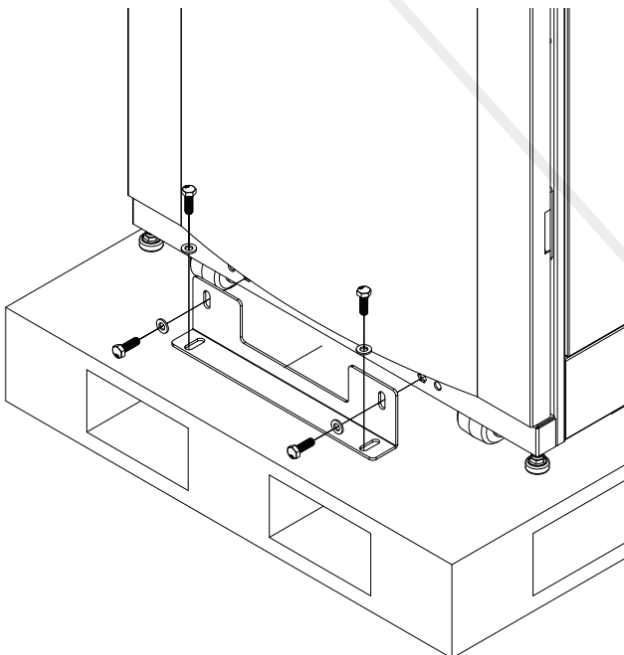
Limitations of Liability: In no event will infrastone, LLC. be liable for any damages, whether direct or indirect, special, punitive, incidental or consequential damages (including, but not limited to, lost profits or revenue, loss of use, lost business opportunities or loss of good will) or for the costs of procuring substitute products, arising out of or in connection with the use of the product, whether such liability arises from any claim based upon contract, warranty, tort (including negligence), product liability or otherwise, whether or not seller has been advised of the possibility of such loss or damage. In no event will seller's total cumulative liability, from all causes of action and all theories of liability, exceed the total amounts actually paid to seller by customer under the order that gives rise to any liability hereunder.

1. Parts Identification

- 1- Front Door (Perforated or Glass)
- 2- Back Door
- 3- Removable Side Panel (4x)
- 4- Top Panel (Fan Compatible or Cable Management)
- 5- Bottom Panel
- 6- Vertical Mounting rails (4x)
- 7- Cable Management Rails (2x)
- 8- Casters (4x)
- 9- Levelers (4x)

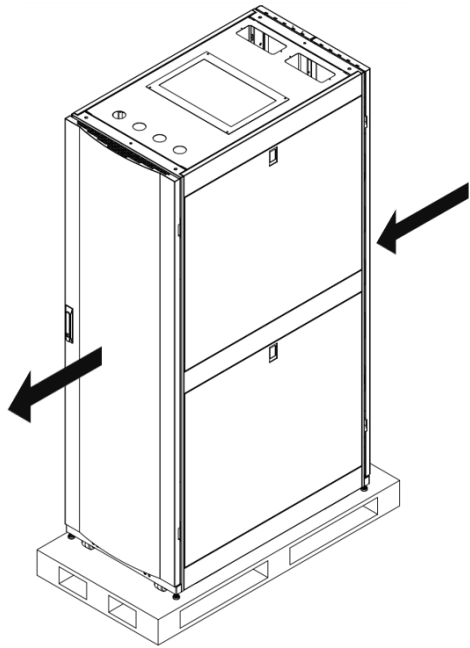


2. Unpacking



1: Use a wrench to remove L brackets (connected to enclosure and wood pallet) on both sides. Be extremely careful, as the enclosure could shift unexpectedly after removing the brackets. Save the brackets/hardware for later use.

Warning: Do not use a sharp blade to remove clear plastic wrap from cabinet. This could result in scratches/damage to cabinet. The cabinet is very heavy, and you should use caution when unpacking the cabinet.



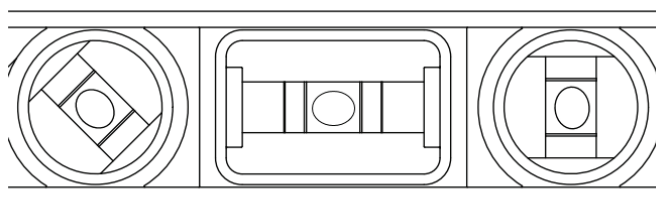
2: Position at least one person at the front of the cabinet and one person at the rear of the cabinet. Slowly push (or lift) the enclosure off the side of the shipping pallet.

Use the casters to move the cabinet for a short distance over a level, smooth, stable surface by pushing it from the front or rear of the cabinet. Do not attempt to roll the cabinet over long distances. The cabinet should be moved close to its installation location before it is unpacked. (Use a forklift or pallet jack to move the shipping container.) **WARNING: Do not pull the cabinet toward you as it may result in injury.**

WARNING: Two people should remove the cabinet from the pallet. Be extremely careful when moving the cabinet.

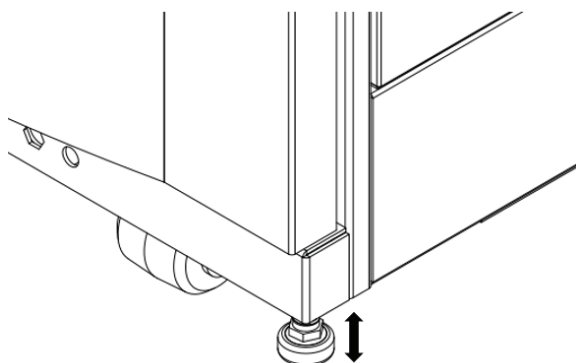
-Leveling

Level the cabinet before attempting to install any equipment into the cabinet. The casters are not designed to provide long-term support for the cabinet. Use the levelers to provide long-term support. Install the cabinet in a structurally sound area with a level floor that can bear the weight of the cabinet, all equipment that will be installed in the cabinet and any other cabinets and/or equipment that will be installed nearby.



Floor

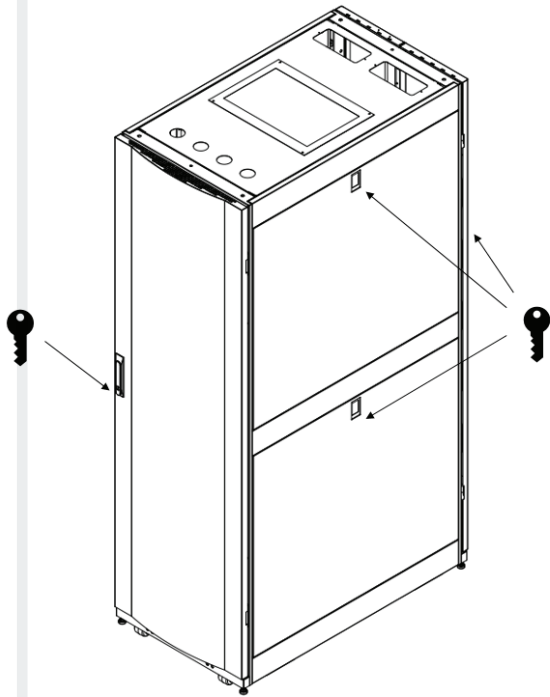
1: After the cabinet has been moved to the installation location, use a carpenter's level to check the slope of the floor. If the slope is excessive, choose an alternative location.



2: Use an open-end wrench to lower each leveler until it contacts the floor.

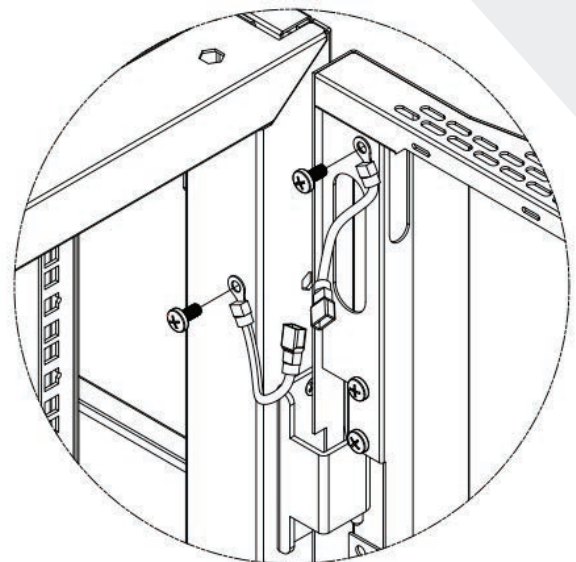
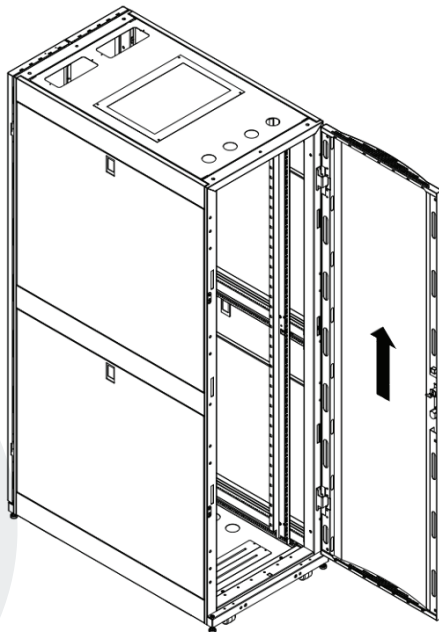
3. Enclosure Configuration

-Door Locks

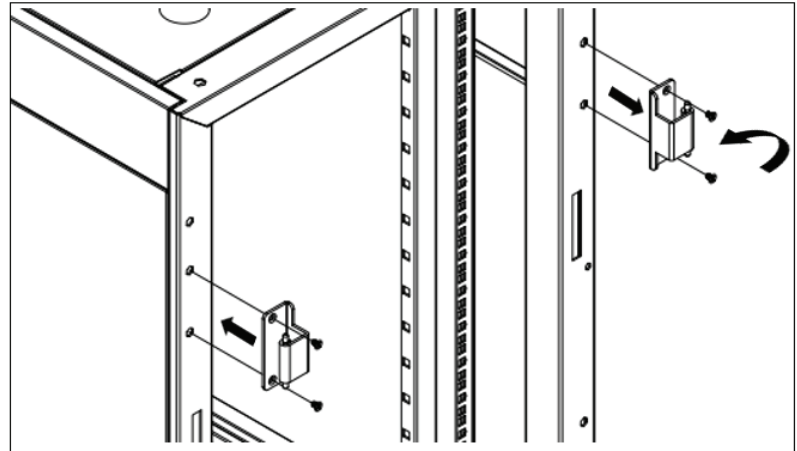
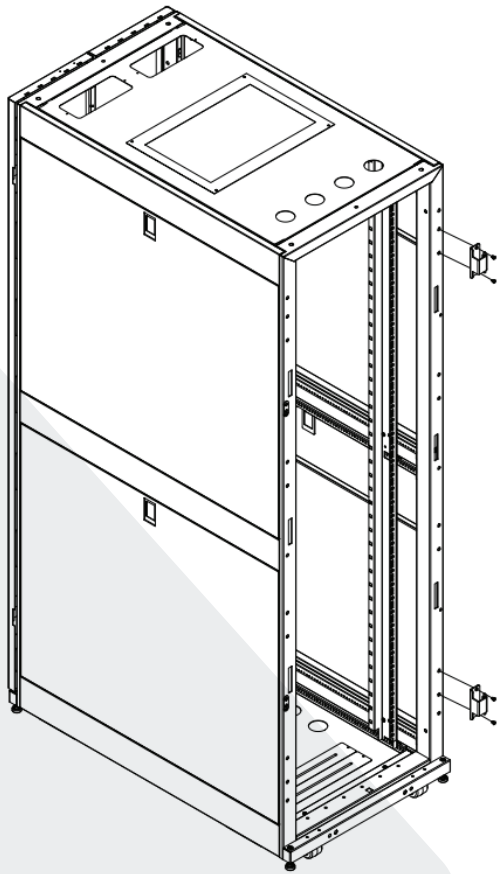


The front/back door and 4 side panels contain locks that are lockable with the included keys.

-Reversing Front Door



- 1: Open the Front Door until it's perpendicular to the Front Frame of the cabinet.
- 2: Disconnect the door's ground wire.
- 3: Lift the door from the hinges and remove it from the Front Frame of the cabinet.

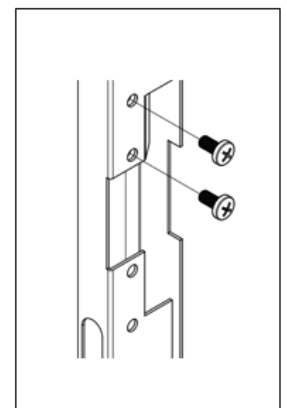
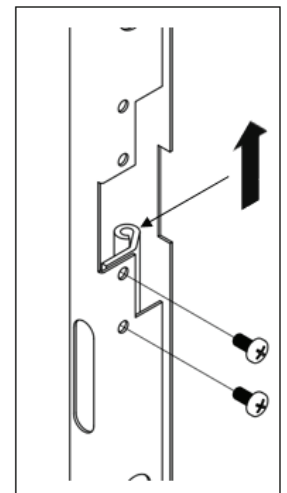
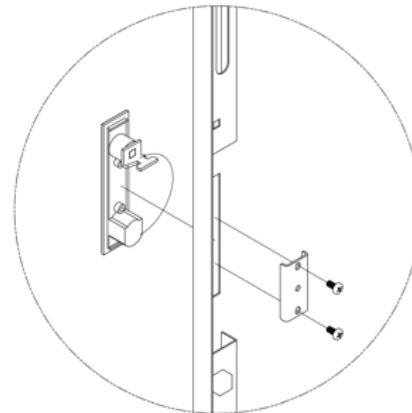
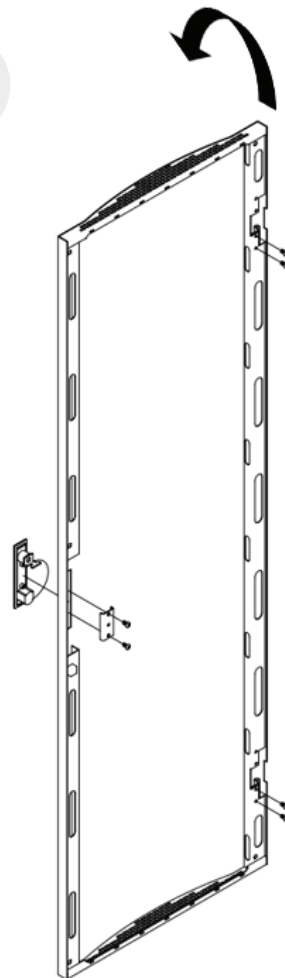


4: Remove the door hinges from the Front Frame.
5: Rotate both hinges 180 degrees and attach them on the opposite side of the Front Frame.

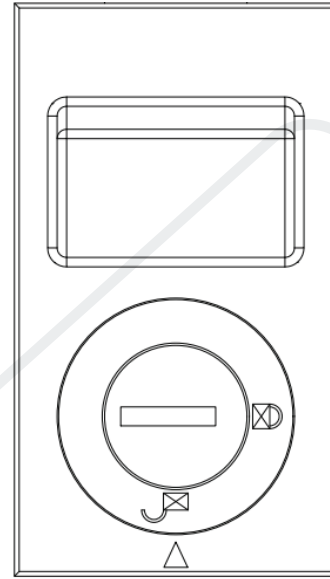
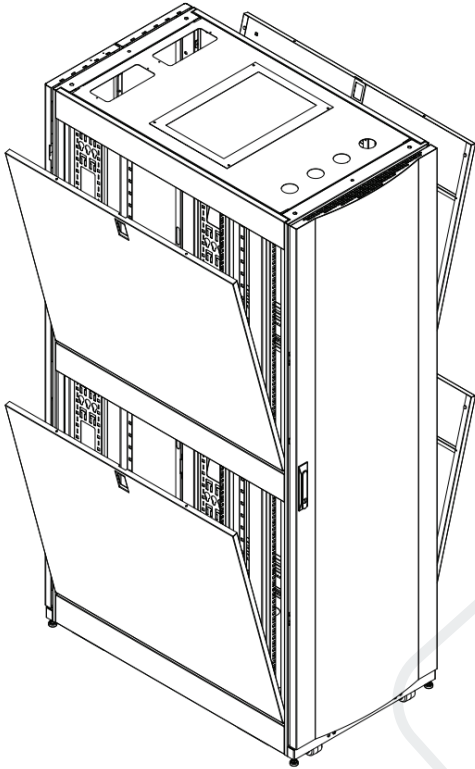
6: Rotate the Front Door 180 degrees.

7: Unscrew the Front Door Lock and rotate it 180 degrees. Reattach the Front Door Lock into the Front Door.

8: Unscrew two hinges inside of the Front Door, then reattach each of them using the holes above the original position.

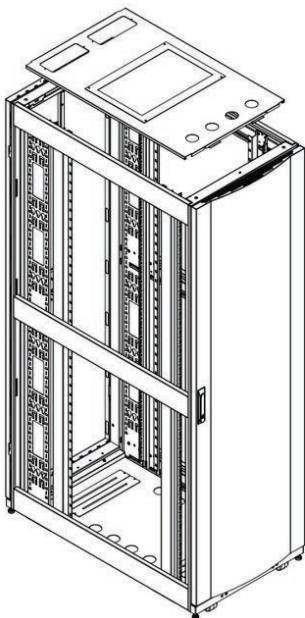


-Adding or Removing Side Panels

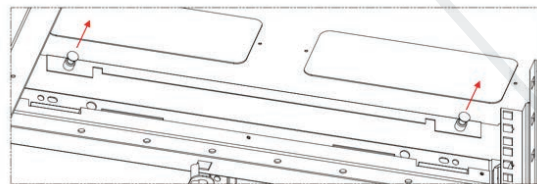


- 1: Unlock the Side Panel latches using Front Door/Back Door keys.
- 2: Remove Side Panels by sliding the plastic latch downward.

-Adding or Removing Top Panel

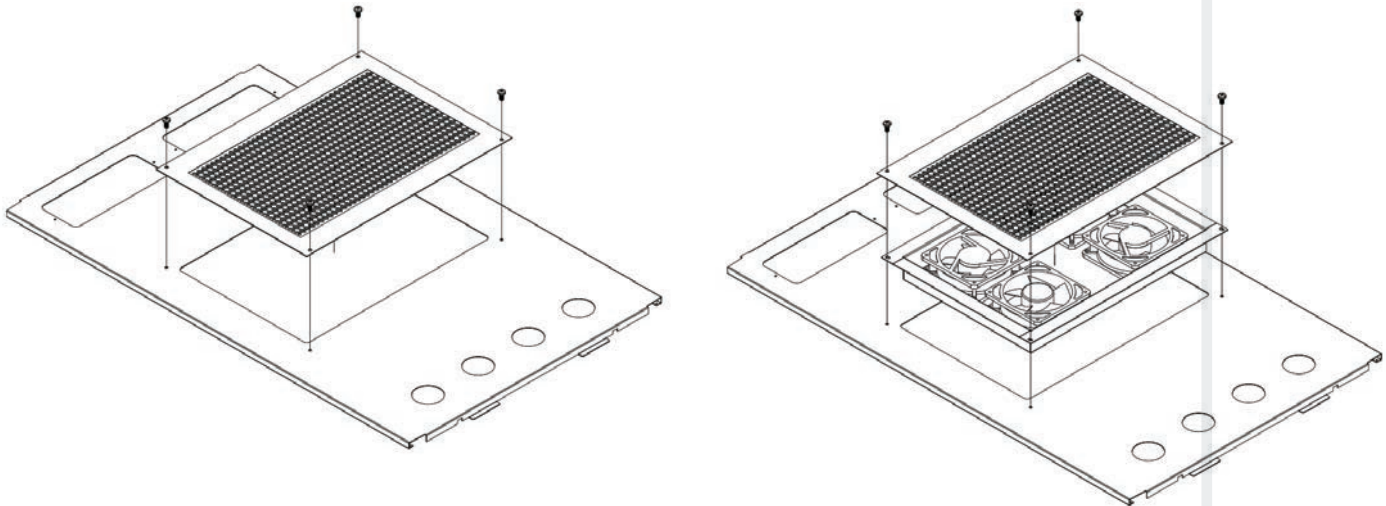


From inside of the enclosure, Pull the 2 pins near the rear of the roof panel and push the roof panel upward.



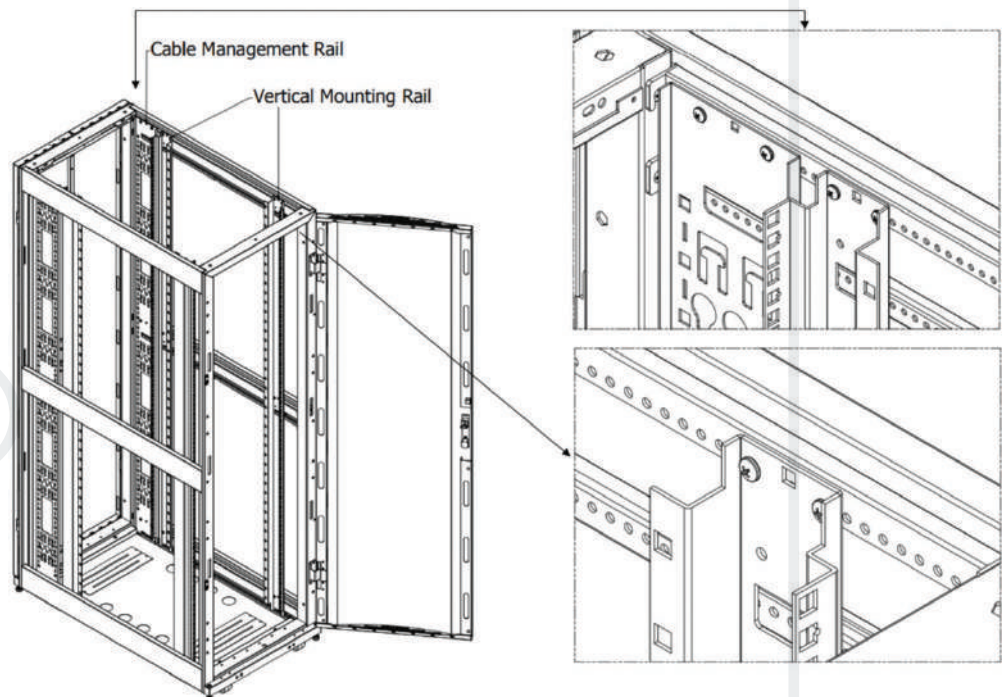
WARNING: Do not attempt to use the roof panel for weight-bearing purposes. Do not attempt to add or remove the roof panel without assistance.

-Optional Cooling Fan for Fan Top Panel (Sold Separately)



- 1: Unscrew the perforated panel.
- 2: Attach Cooling Fan Panel into the opening on the Top Panel and fasten with screws provided.

-Adjusting Vertical Mounting Rails and Cable Management Rails



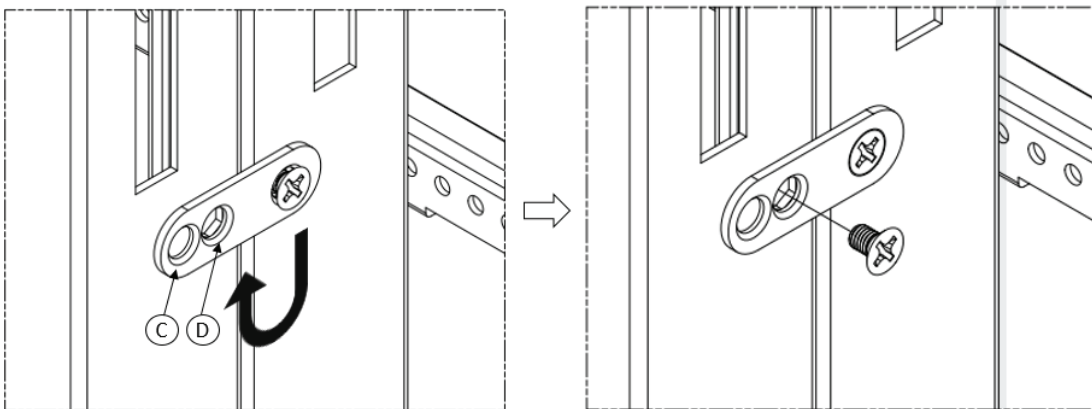
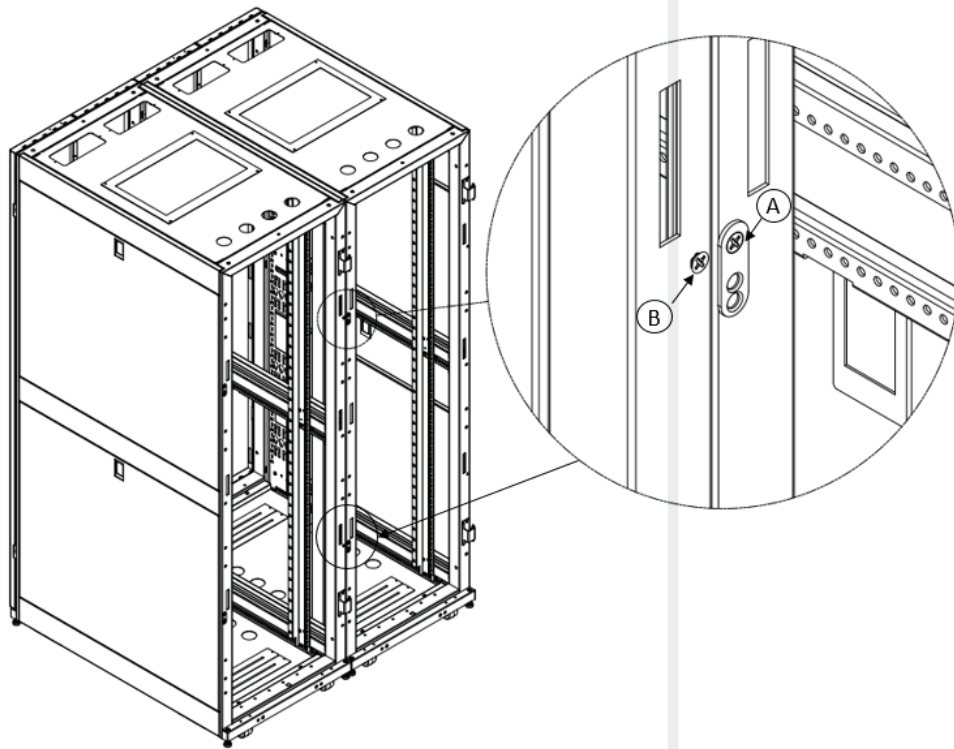
- 1: Each Vertical Mounting Rail is connected to the enclosure with 6 screws (1 pair at the top beam, 1 pair at the middle beam and 1 pair at the bottom beam).
- 2: Adjust the rails by sliding them to the desired depth and secure them with the 6 screws described above.
- 3: Slide the mounting rails to the desired depth and reattach them.

The depth of the 2 Cable Management Rails can be adjusted using the same method. The rail attachment points are numbered to help you align each pair of rails at the same depth.

-Combining (Baying) Cabinets

WARNING: Combining cabinets is not a substitute for stabilizing the cabinets. Each cabinet in a bay of combined cabinets requires the same stabilizing measures as a standalone cabinet.

Each cabinet includes 4 baying brackets (2 on the Front Frame/2 on the Back Frame). Points A correspond to baying connection points B on the adjoining cabinet. The baying connection points already contain screws.



- 1: As shown in above picture, remove the Front Door/Back Door and Side Panels of cabinets.
- 2: Remove the screw from each baying point B.
- 3: Loosen the screw in each baying bracket and turn each bracket 90 degrees toward the adjoining cabinet, aligning each bracket with the corresponding baying connection point on the adjoining cabinet. If you want to leave a 10mm gap between two cabinets, use the outside hole(C) of the bracket. If you want two cabinets to be connected without any gap, use the middle hole(D) of the bracket.
- 4: After connecting all brackets and confirming that the cabinets do not need further adjustment, tighten all screws.