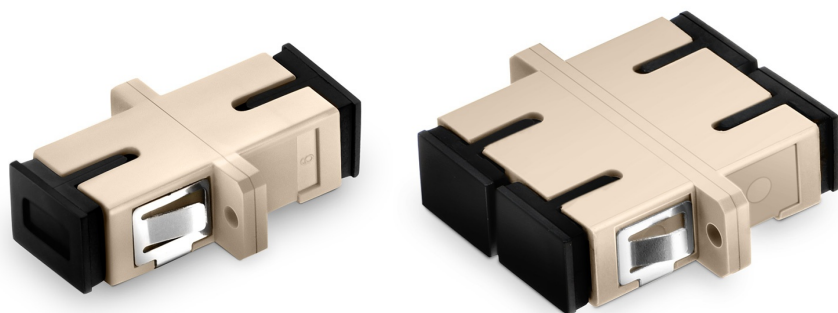


## BLACK-STONE SC Fiber Adapters



BLACKSTONE fiber adapters are constructed of engineered thermoplastic with precision zirconia ceramic split sleeves providing low loss fiber connections over high and low temperature extremes. SC adapters are suitable for any data center, central office, MDU, CATV, or PON cabling installations using SC connectors. SC adapters are available with mounting flanges or flangeless for higher density applications.

### FEATUERS

- Low insertion loss
- High repeatability and high thermal stability
- Metal spring latch for panel retention
- Dust protection caps as standard
- Precision zirconia ceramic split sleeve

### MECHANICAL SPECIFICATIONS

Insertion Loss Single-mode	< 0.2 dB
Insertion Loss Multimode	< 0.2 dB
Operating Temperature	-40 °C to +85 °C
Weight Simplex	5 grams
Weight Duplex	9 grams

### APPLICATION

Single-mode and multimode SC adapters meet or exceed the requirements in TIA-568.3-D and TIA-604-3, FOCIS-3, GR-326, or IEC 61300.

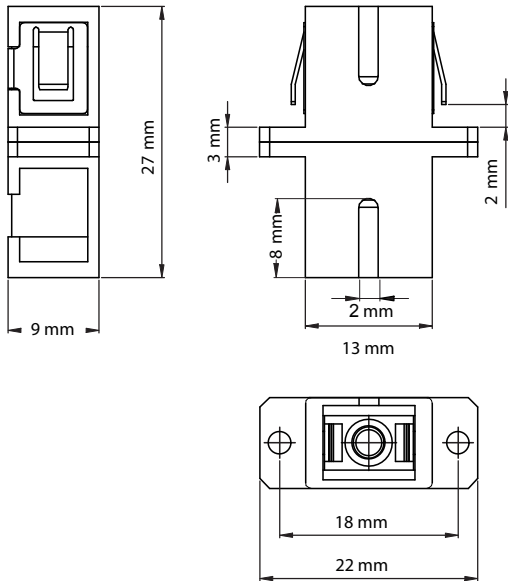
Adapters provide < 0.2 dB insertion loss and support an operational temperature range of -40 °C to +85 °C and come with protective caps.

### STANDARDS

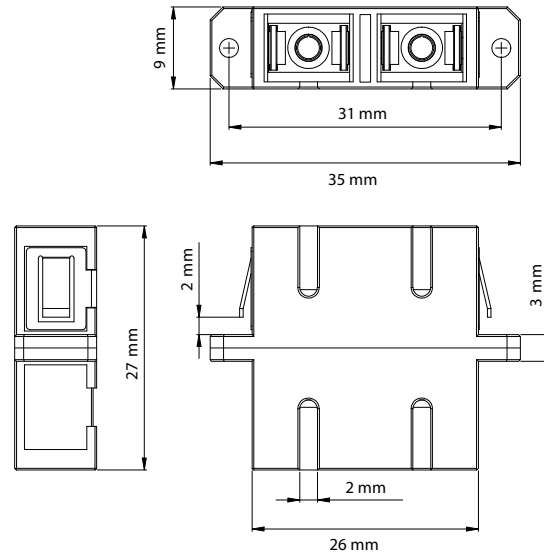
- TIA-568.3-D
- TIA-604-3, FOCIS-3
- IEC61754-4
- GR-326 or IEC 61300 series
- RoHS

## ELECTRONIC FILES

SIMPLEX



DUPLEX



## ORDER INFORMATION

Description	Part. No
Coupler SC Simplex Single mode	BA-S-SCSC-SPC
Coupler SC Duplex Single mode	BA-D-SCSC-SPC

Note: Adapters are sold individually bagged with a minimum order quantity of 50.