

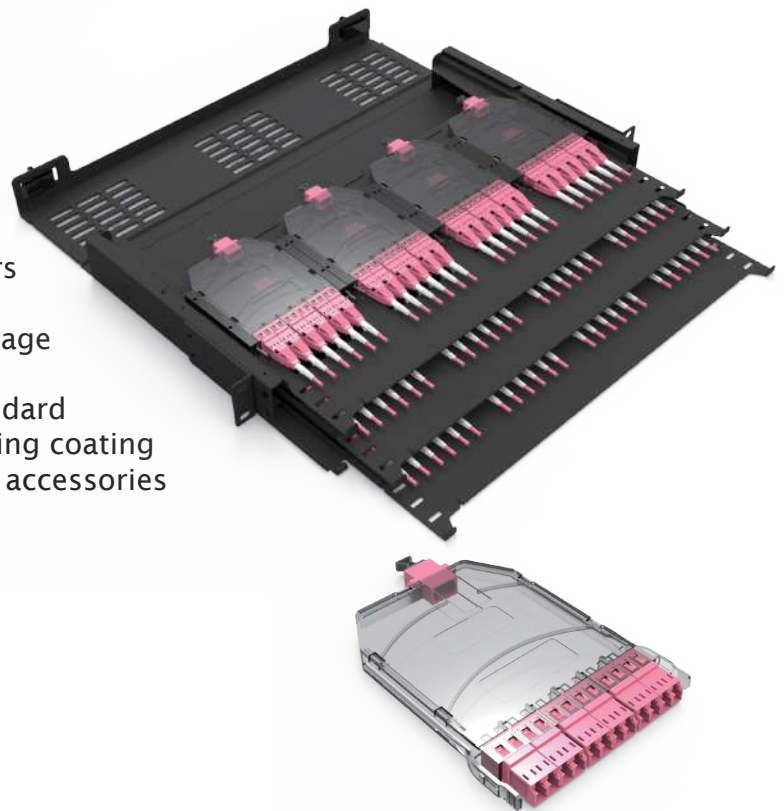
BLACK-STONE High Density MPO/MTP Patch panel



The High Density 1U Patch panel is specially designed to filite high density cabling system in data center and telecommunication environments.

FEATUERS

- Standard 19"
- 1U 144 fibers, 2U 288 fibers and 4U 576 fibers
- Flat front panel for optimal cable routing
- Double rail design, easy to assemble and manage
- Lightweight ABS material for MPO module
- High-density wiring application condition Standard
- High quality metal sheet technology and fogging coating
- High quality fiber management and structural accessories



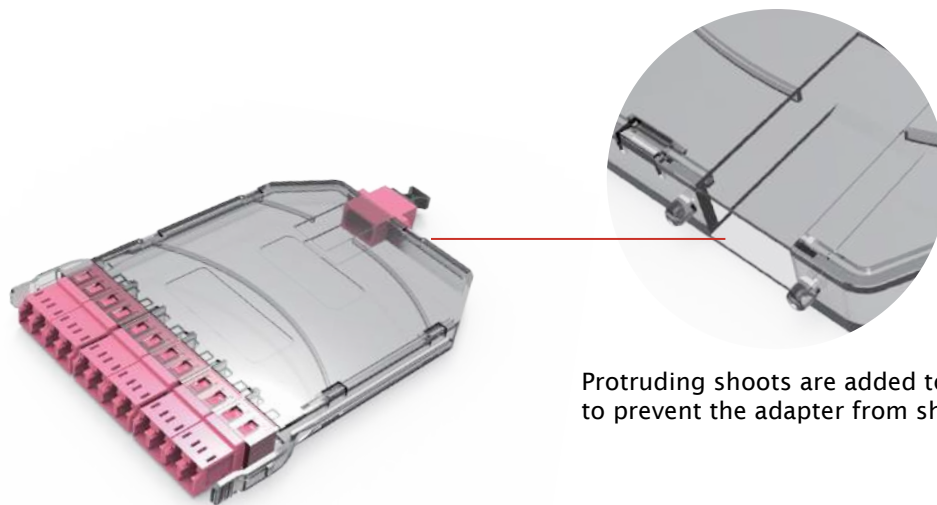
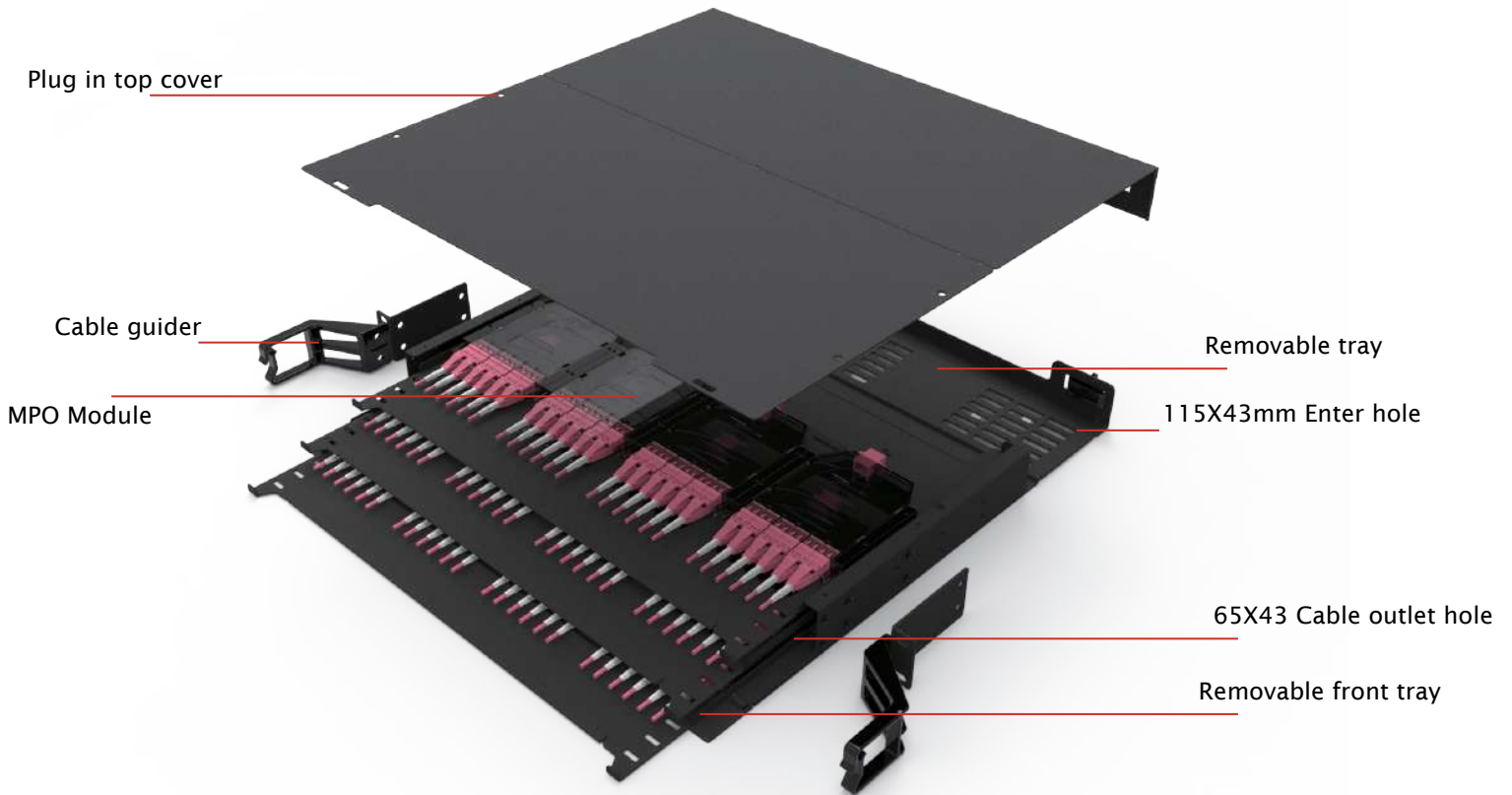
APPLICATION

- Data communication
- Data center infrastructure
- Storage area network fiber channel
- 40G and 100G ethernet standard interface
- CATV
- LAN
- WAN
- FTTX

STANDARDS

- TIA-604-10
- IEC 61754-20
- RoHS

Black-stone



Lightweight 12F module for special up and down DLC adapter
height 11.8mm , Weight 40g
total width 93mm,easy for one-hand installation

Product dimension

482.6X455X44mm

Outer carton dimension

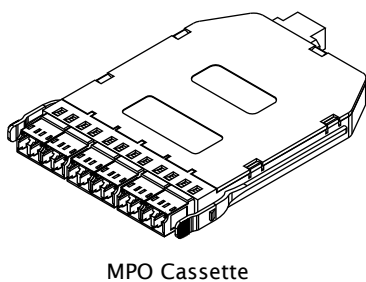
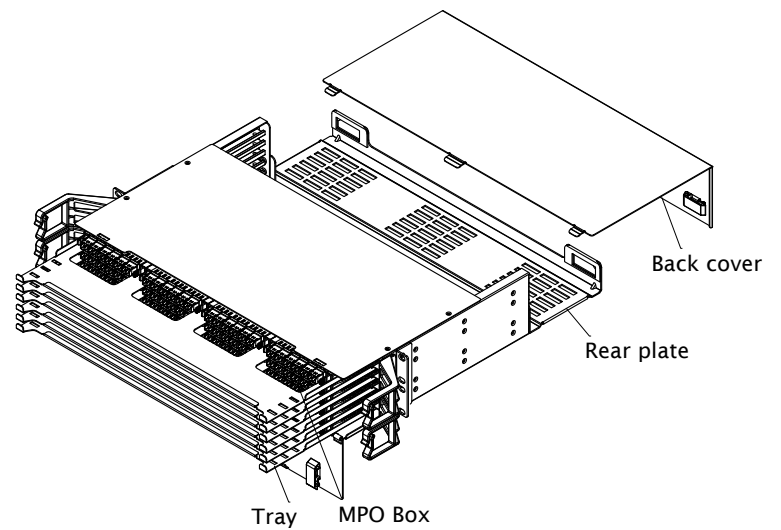
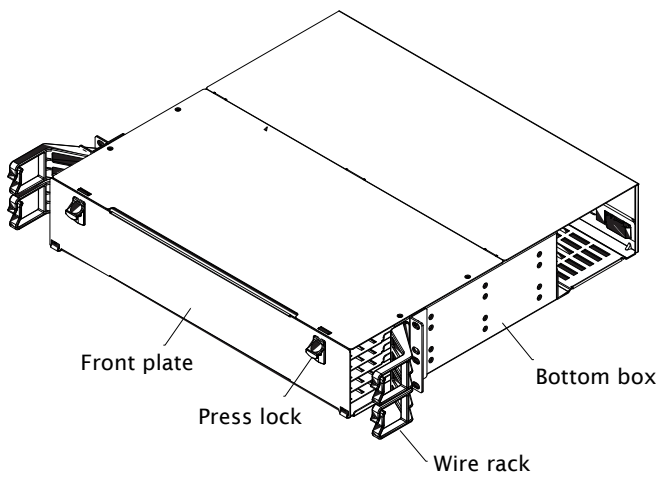
630X535X115mm



Standard accessories

Cable tie/Magic stick strip/Winding pipe

ELECTRONIC FILES



ORDER INFORMATION

BLACK-STONE HD MTP/MPO Fully Loaded patch panel

Description	Part No.
Black-stone 1U HD MTP/MPO Patch Panel	BS-1UHD-MPO-L
Black-stone 2U HD MTP/MPO Patch Panel	BS-2UHD-MPO-L
Black-stone 3U HD MTP/MPO Patch Panel	BS-3UHD-MPO-L
Black-stone 4U HD MTP/MPO Patch Panel	BS-4UHD-MPO-L
Black-stone Cassette	BS-HDC-L

BLACK-STONE HD MTP/MPO Unloaded patch panel

Description	Part No.
Black-stone 1U HD MTP/MPO Patch Panel	BS-1UHD-MPO
Black-stone 2U HD MTP/MPO Patch Panel	BS-2UHD-MPO
Black-stone 3U HD MTP/MPO Patch Panel	BS-3UHD-MPO
Black-stone 4U HD MTP/MPO Patch Panel	BS-4UHD-MPO