

Black-stone Horizontal Cable Management

DISCRIPTION

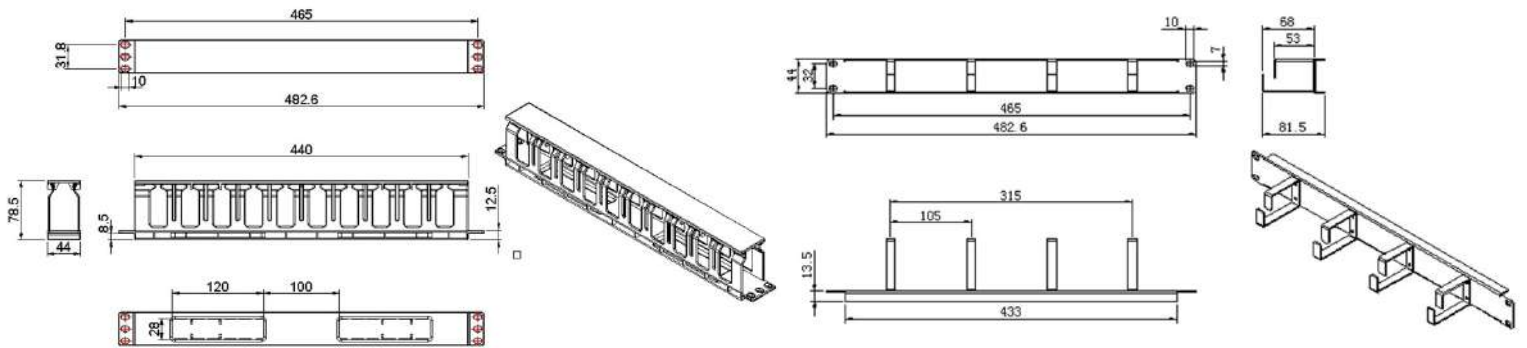
Blackstone horizontal cable management Be compatible with 19-inch equipment rack, cabinets, and wall mount shelf, suitable for interaction and termination of horizontal cabling between devices, equipment and centralized points.

FEATURES

- Made of high quality ABS plastic to avoid scratching, with detachable surface faceplate design.
- Accomplish a clean and beautiful cabling system with simple,flexible, effective and safe feature.
- Unique exterior design, simple, compact and beautiful.
- Black appearance enables its combination of any other equipment in data center.



ELECTRONIC FILES



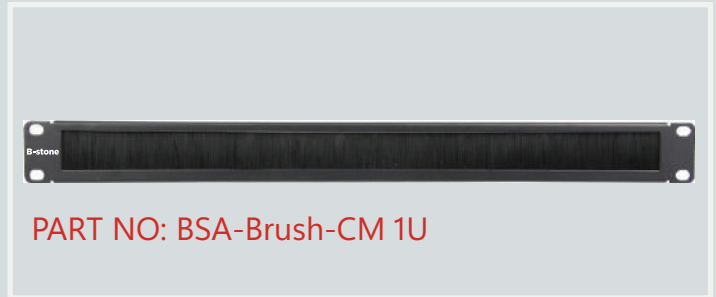
Order information

Description	Single recessed cable management	Back panel cable management 1U
Part no.	BSABP1465636	BSABP1465636
Color	Black	Black
Inner box	1PCS	1PCS
Carton	20pcs	10pcs
Carton measurement	61CM*53CM*22CM	3CM*31CM*23CM
Weight	9.4KG	4 kg

Black-stone Brush Cable Management

DISCRIPTION

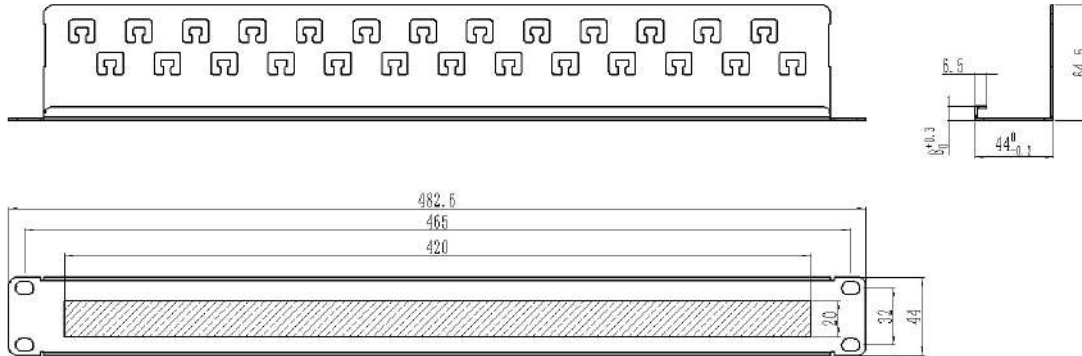
Blackstone Brush Cable Management Be compatible with 19-inch equipment rack, cabinets, and wall mount shelf, suitable for interaction and termination of horizontal cabling between devices, equipment and centralized points.



FEATURES

- Made of high quality ABS plastic to avoid scratching, with detachable surface faceplate design.
- Accomplish a clean and beautiful cabling system with simple, flexible, effective and safe feature.
- Unique exterior design, simple, compact and beautiful.
- Black appearance enables its combination of any other equipment in data center.

ELECTRONIC FILES



Order information

Part No.	BSA-Brush-CM 1U
Description	Brush cable management
Color	Black
Inner box	1PCS
Carton	20pcs
Carton measurement	1CM*53CM*22CM
Weight	15KG

Black-stone Blind Panel

DISCRIPTION

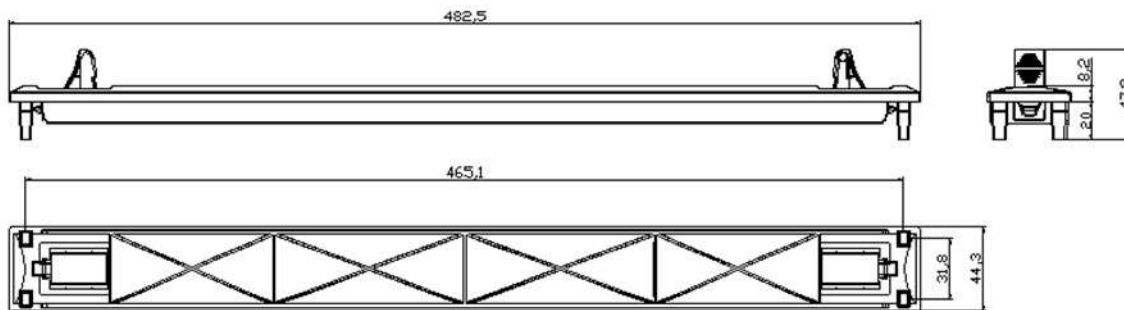
Blackstone Blind Panel designed according to 19-inch equipment rack standard, use convenient tool-free design, easy to disassemble, Shield the cabinet installation equipment to prevent dust from entering, make sure the cabinet beautiful.



FEATURES

- Unique exterior design, simple, compact and beautiful.
- Made of high quality ABS plastic, designed by tool-free, easy to disassemble.
- Shield the cabinet installation equipment to prevent dust from entering, make sure the cabinet beautiful.
- Black appearance enables its combination of any other equipment in data center.

ELECTRONIC FILES



Order information

Part No.	BSA-Blind-panel1U
Description	Blind panel 1U
Color	Black
Inner box	5 Pcs
Carton	25pcs
Carton measurement	53cm× 31cm × 23cm
Weight	4.8KG

Black-stone Vertical Cable Management

FEATURES

- Materials: 1.2mm cool rolled steel.
- Color: black/gray
- Features: overall one-shot stamped; convenient or disassembling & mounting.
- Dimension: width: 60mm, depth: 95mm



PART NO: BSS511101-1

FEATURES

- Materials: 1.2mm cold rolled steel & ABS engineering plastics.
- Color: black
- Frame: Independently designed product.
- The mounting plate can be opened on both sides.
- The perfect combination of metal and plastic.
- Features: Providing flexible, safe and effective management on various cables.



PART NO: BSS511102-1

Black-stone US Style Faceplate

PART NO:BSFPUS2000111

PART NO:BSFPUS6000111



PART NO:BSFPUS1000111

PART NO:BSFPUS3000111

PART NO:BSFPUS4000111

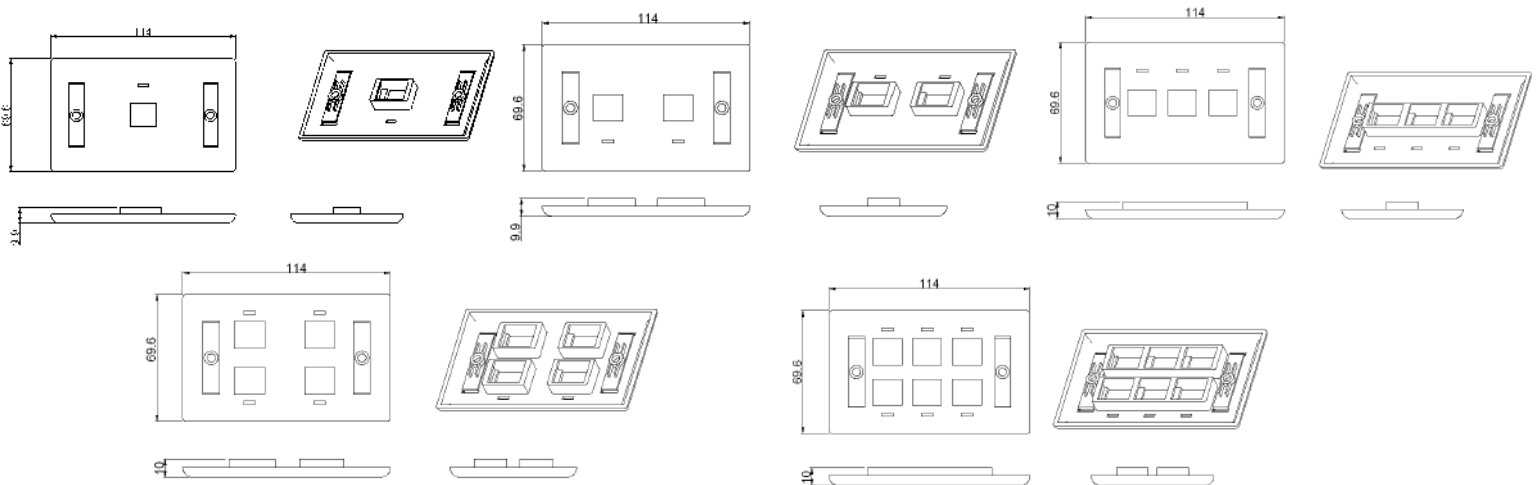
DISCRIPTION

Blackstone US style face plate is suitable for different kinds of modular jack installation, widely used in working area network cabling.

FEATURES

- America 120 style
- Embedded surface box, easy to install; Panel surface with embedded charts and label positions
- for easy definition of data and voice terminal
- Whole structure design
- Available in 1-port, 2-port, 3-port, 4-port and 6-port faceplate
- Made of high quality ABS&PC

ELECTRONIC FILES



Order information

Part No.	Description	Color	Inner box	Carton	Carton measurement	Weight
BSFPUS1000111	Wall style 1-port dustproof faceplate	White	15pcs	150pcs	53cm× 31cm × 23cm	8 kg
BSFPUS2000111	Wall style 2-port dustproof faceplate	White	15pcs	150pcs	53cm× 31cm × 23cm	8.20kg
BSFPUS3000111	Wall style 3-port dustproof faceplate	White	15pcs	150pcs	53cm× 31cm × 23cm	8.10kg
BSFPUS4000111	Wall style 4-port dustproof faceplate	White	15pcs	150pcs	53cm× 31cm × 23cm	8.10kg
BSFPUS6000111	Wall style 6-port dustproof faceplate	White	15pcs	150pcs	53cm× 31cm × 23cm	8.10kg

Black-stone UK Style Faceplate



PART NO:BSFPUK1000111



PART NO:BSFPUK2000111



PART NO:BSFPUK4000111

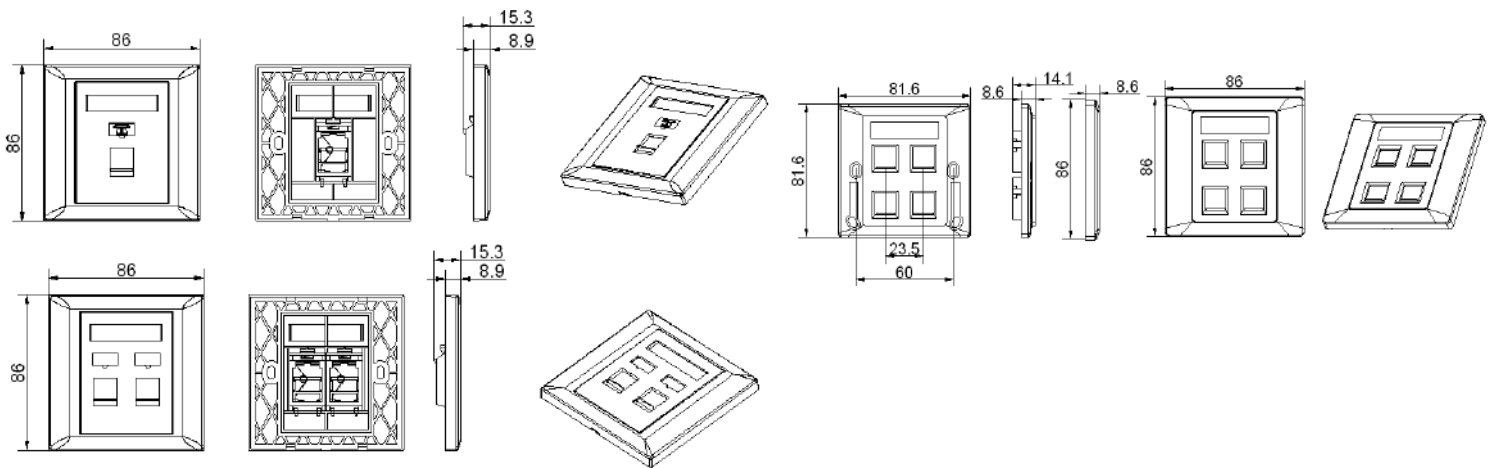
DISCRIPTION

Blackstone UK style face plate is suitable for different kinds of modular jack installation, widely used in working area network cabling.

FEATURES

- 86 x 86 style
- Embedded surface box, easy to install; Panel surface with embedded charts and label positions for.
- easy definition of data and voice terminal
- With anti-dust sliding port-cover
- Available in a variety of environments for 1-port, 2-port and 4-port faceplate
- Made of high quality ABS&PC

ELECTRONIC FILES



Order information

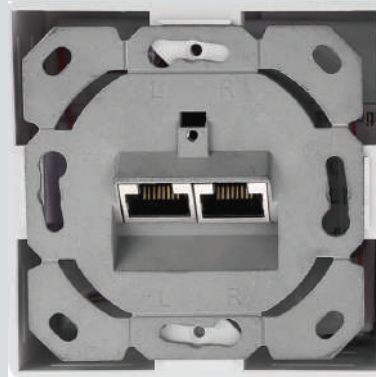
Part No.	Description	Color	Inner box	Carton	Carton measurement	Weight
BSFPUK1000111	Wall style 1-port dustproof faceplate	White	15pcs	150pcs	53cm× 31cm × 23cm	8 kg
BSFPUK2000111	Wall style 2-port dustproof faceplate	White	15pcs	150pcs	53cm× 31cm × 23cm	8.20kg
BSFPUK3000111	Wall style 3-port dustproof faceplate	White	15pcs	150pcs	53cm× 31cm × 23cm	8.10kg
BSFPUK4000111	Wall style 4-port dustproof faceplate	White	15pcs	150pcs	53cm× 31cm × 23cm	8.10kg

Black-stone

Black-stone 80 Style 2-port CAT6A Shielded Dust-proof Faceplate

DISCRIPTION

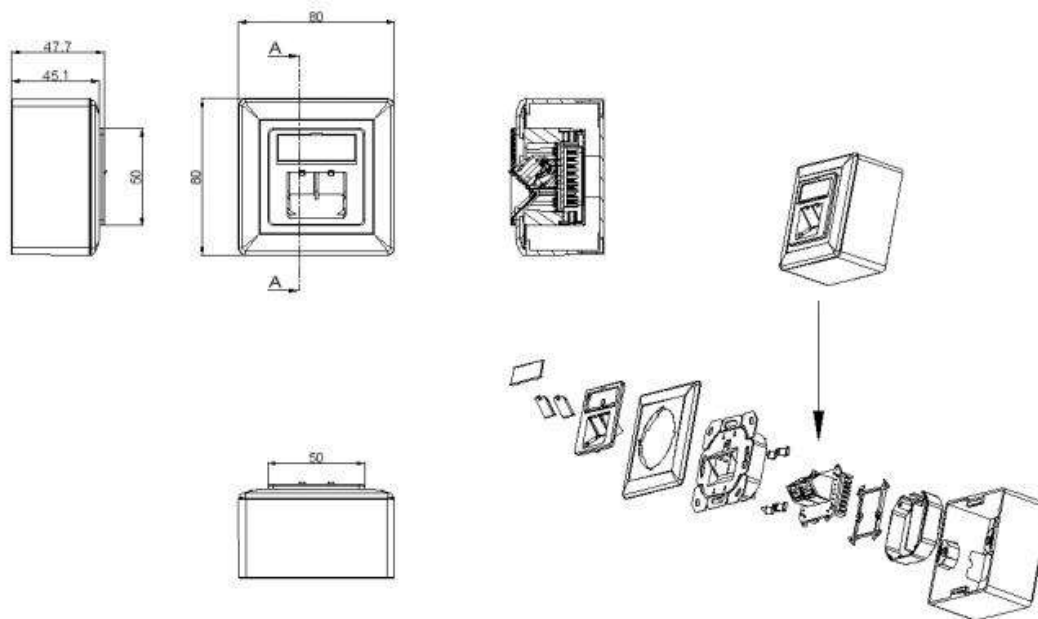
Black-stone Cat6A 80-type shielded dust-proof faceplate to meet or exceed the current Category 6A transmission standard, in line with the 10 Gigabit Ethernet application system, and the performance exceeds Category 6A 550MHZ connection hardware specifications.



FEATURES

- The built-in faceplate, easy to install, reduces installation and operating costs.
- The faceplate surface has embedded icons and label positions for easy identification of data and voice ports.
- Made of zinc alloy conforms to the industry standard of shielding effect.
- Solid and corrosion phosphor bronze IDC enables over 250 terminations
- phosphor bronze contact with 50μ" gold plate, with a durability of 750 matching recycles
- With backward compatibility of CAT 6 and lower classes

ELECTRONIC FILES



Order information

Part No.	BSFPUK2-80D
Description	80 style 2-port CAT6A shielded dustproof Faceplate
Color	White
Inner box	1 Pcs
Carton	20pcs
Carton measurement	53cm× 31cm × 23cm
Weight	5KG

Black-stone

Black-stone UK Fancy Style Faceplate

PART NO: BSFPUK1000-Fancy



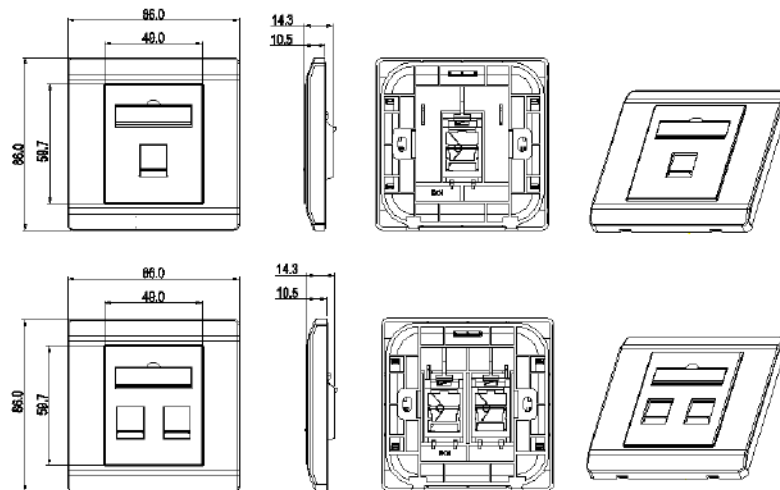
DISCRIPTION

Blackstone UK Fancy style face plate is suitable for different kinds of modular jack installation, widely used in working area network cabling.

FEATURES

- Size 86 x 86mm
- Embedded surface box, easy to install; Surface use car painting process and UV treatment
- With Anti-dust sliding port cover
- Available in a variety of environments for 1-port and 2-port faceplate
- Made of high quality ABS&PC

ELECTRONIC FILES



Order information

Part No.	Description	Color	Inner box	Carton	Carton measurement	Weight
BSFPUK1000-Fancy	Fancy style 1-port dustproof faceplate	White	15pcs	150pcs	53cm× 31cm × 23cm	8 kg
BSFPUK2000-Fancy	Fancy style 2-port dustproof faceplate	White	15pcs	150pcs	53cm× 31cm × 23cm	8.20kg
BSFPUK3000-Fancy	Fancy style 3-port dustproof faceplate	White	15pcs	150pcs	53cm× 31cm × 23cm	8.10kg
BSFPUK4000-Fancy	Fancy style 4-port dustproof faceplate	White	15pcs	150pcs	53cm× 31cm × 23cm	8.10kg

Black-stone

Black-stone UK External Back Box

DISCRIPTION

Blackstone UK External Back Box is Suitable for different kinds of faceplate installation, widely used in working area network.

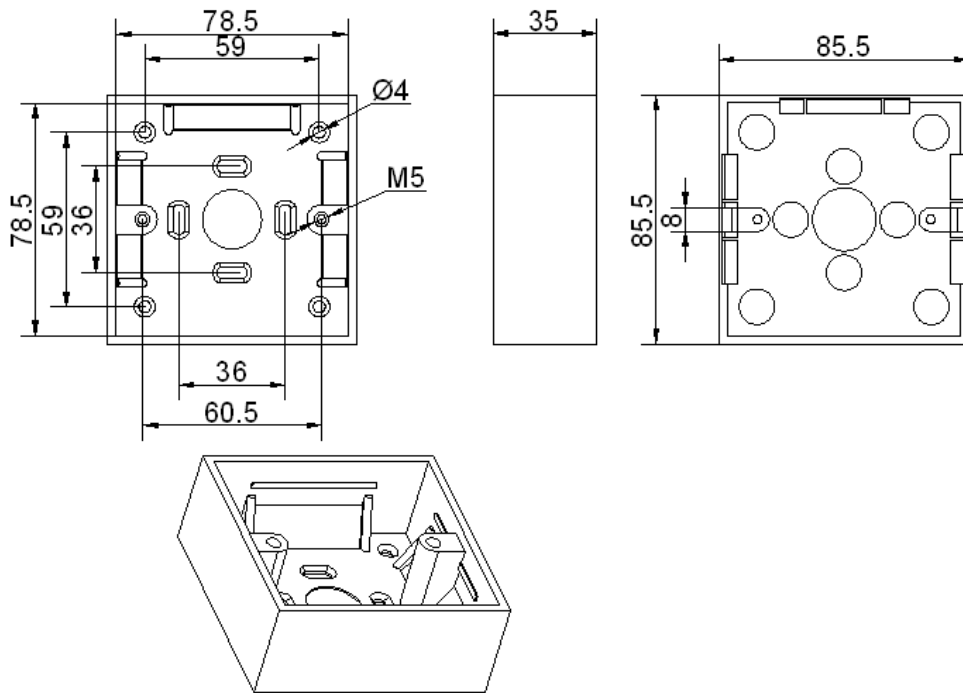
FEATURES

- Fit for installation of 86 style faceplate
- Made of high quality ABS&PC plastic to avoid scratching, with detachablesurface faceplate.



PART NO: BSCFBX-UK-001

ELECTRONIC FILES



Order information					
Part No.	Description	Color	Carton	Carton measurement	Weight
BSCFBX-UK-001	UK External Back Box	White	100pcs	44cm× 38cm × 19cm	5 kg
BSCFBX-US-001	US External Back Box	White	100pcs	44cm× 38cm × 19cm	5 kg
BSCFBX-US-002	US Internal Back Box	White	100pcs	44cm× 38cm × 19cm	5 kg