

Black-stone Keystone Jack

Cat6A RJ45, Unshielded, Dust Cap Tool less,
PoE/PoE+ Compliant, TAA, CE E Red-Black



PART NUMBER: BSKJ6A10-TL-RB

Toolless RJ45 keystone jack lets you terminate your Cat6a/6/5e network patch cable without using a punch down tool

Features

Toolless Keystone Jack Strengthens Your High-Speed Cat5e/Cat6/Cat6a Network Terminate your network patch cable without the time, effort and expense of a punch down tool. Ideal for Cat6A premise wiring, the RJ45 keystone jack snaps into wall plates, patch panels and surface-mount boxes and works with all shielded Cat6a cables. Toolless punch down connection is compatible with 22-24 AWG solid wire cabling. A dust cap protects the jack from dust and other contaminants when not in use.

Specifically Designed for Use in Surveillance, VoIP and Other PoE+ Applications To maximize performance with PoE (Power over Ethernet) applications, this keystone jack is specifically designed to prevent spark gap erosion that degrades the plug and jack contacts over time and can negatively influence data and/or power transmission capabilities. Connecting PoE devices saves you the expense and effort of purchasing, connect-ing and installing individual power supplies for each device.

Designed for minimal EMI areas, this unshielded keystone jack provides efficient connectivity without the added bulk of shielding, ensuring smooth, dependable network performance.

TAA-Compliant, CE

Highlights

- RJ45 termination is quick and easy with no punch down tools required.
- Supports PoE+ to save you expense and effort of powering PoE devices individually.
- Specially designed to prevent spark-gap erosion that can affect transmission.
- Disperses EMI/RFI line noise that can destroy data and affect equipment performance.
- Includes dust cap to protect end from dust and debris when not in use.

Applications

- Connect a Cat6a network with PoE+ devices mounted in areas that are difficult to reach or have no electrical outlets.
- Set up indoor digital signal in offices, hotels, restaurants, bars, bus stations and airports.

Package Includes

BSKJ6A10-TL-RB, Keystone Jack Cat6a, Unshielded, TAA
Dust cap
Quick Start Guide

Keystone Jack

Specifications

OVERVIEW	
Part number	BSKJ6A10-TL-RB
Product Type	Tool-Free
Technology	Cat6a
PHYSICAL	
Color	Red-Black
Connector Color	Red-Black
Housing Color	White; Gray
Shipping Dimensions (hwd / in.)	L 21"x W 12.3" x H 9.21"
Shipping Dimensions (hwd / cm)	L 53.5 cm x W 31.3cm x H 23.4cm
Shipping Weight (lbs.)	16.60lbs
Shipping Weight (kg)	7.60KG
Unit Dimensions (hwd / in.)	0.760 x 0.860 x 1.350
Unit Dimensions (hwd / cm)	1.92 x 2.19 x 3.43
ENVIRONMENTAL	
Operating Temperature Range	14° to 140°F (-10° to 60°C)
Storage Temperature Range	-40° to 154°F (-40° to 68°C)
Relative Humidity	10% to 90% RH, Non-Condensing
CONNECTIONS	
Number of Ports	1
Side A - Connector 1	RJ45 (FEMALE)
Side B - Connector 1	110 IDC
PoE Type	Type 4 High-Power (100W, IEEE 802.3bt)
STANDARDS & COMPLIANCE	
Product Compliance	(TT568A/T568B)
WARRANTY & SUPPORT	
Product Warranty Period (Worldwide)	Lifetime limited warranty

- Unshielded module colors to choose from :

PN:BSKJ68-TL-RB

COLOR : Red-BLACK





BLACKSTONE Keystone Jack Installation Guide

JACK PIN DESIGNATION	TIA/EIA T568A	TIA/EIA T568B
	1 White/Green	White/Orange
	2 Green	Orange
	3 White/Orange	White/Green
	6 Orange	Green
	4 Blue	Blue
	5 White/Blue	White/Blue
	7 White/Brown	White/Brown
8 Brown	Brown	

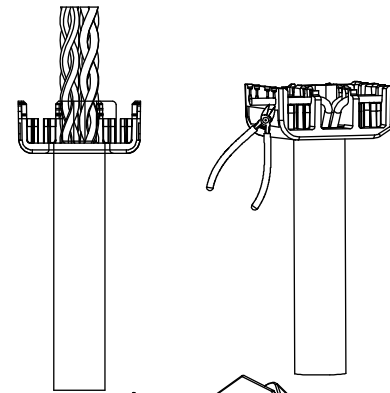
1. Prepare the Cable:

Strip approximately 40mm of the cable jacket and separate the wires into four pairs. Use diagonal pliers to remove the cross filler carefully.



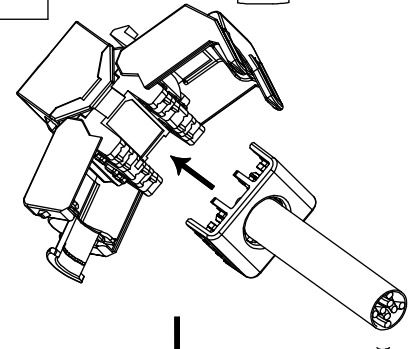
2. Position the Wires

Insert the wires through the plastic cap and lay them into the designated slots according to the wiring diagram printed on the cap. Trim the wires flush with the cap, ensuring that the wire tips protrude no more than 0.1 mm for optimal connectivity.



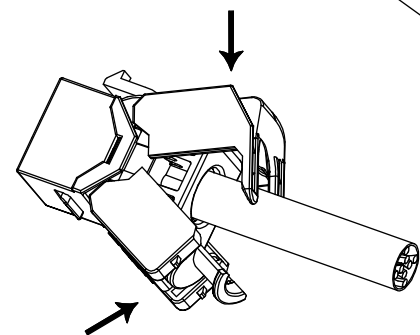
3. Secure the Cap

Align the T-shaped rib on the cap with the corresponding cavity on the IDC connector. Press the cap firmly onto the IDC, ensuring the wires are seated deeper than the tiny teeth inside the IDC slots..



4. Lock the Outer Cap

Push down both sides of the outer cap until you hear a click, ensuring it is securely closed.



5. Final Step

Fasten the cable tie to secure the assembly and complete the installation process.

