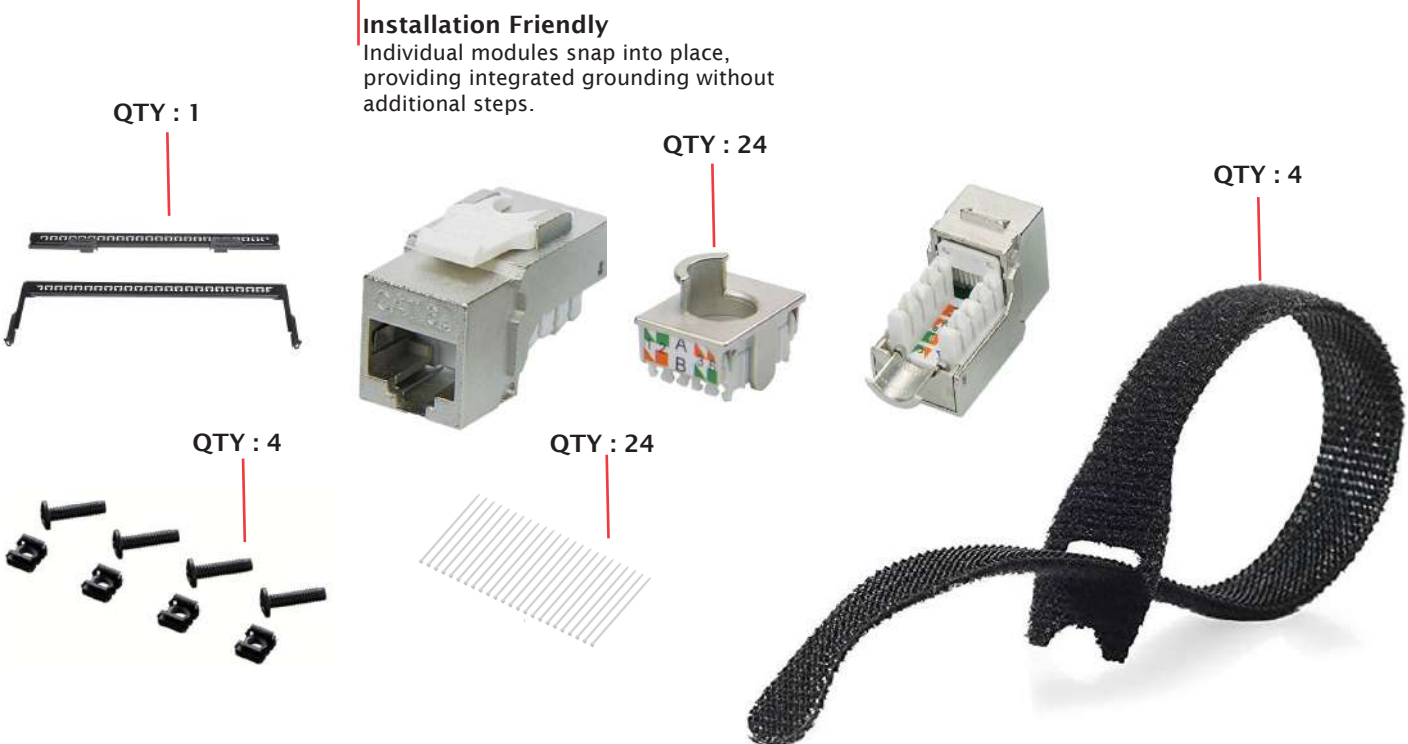
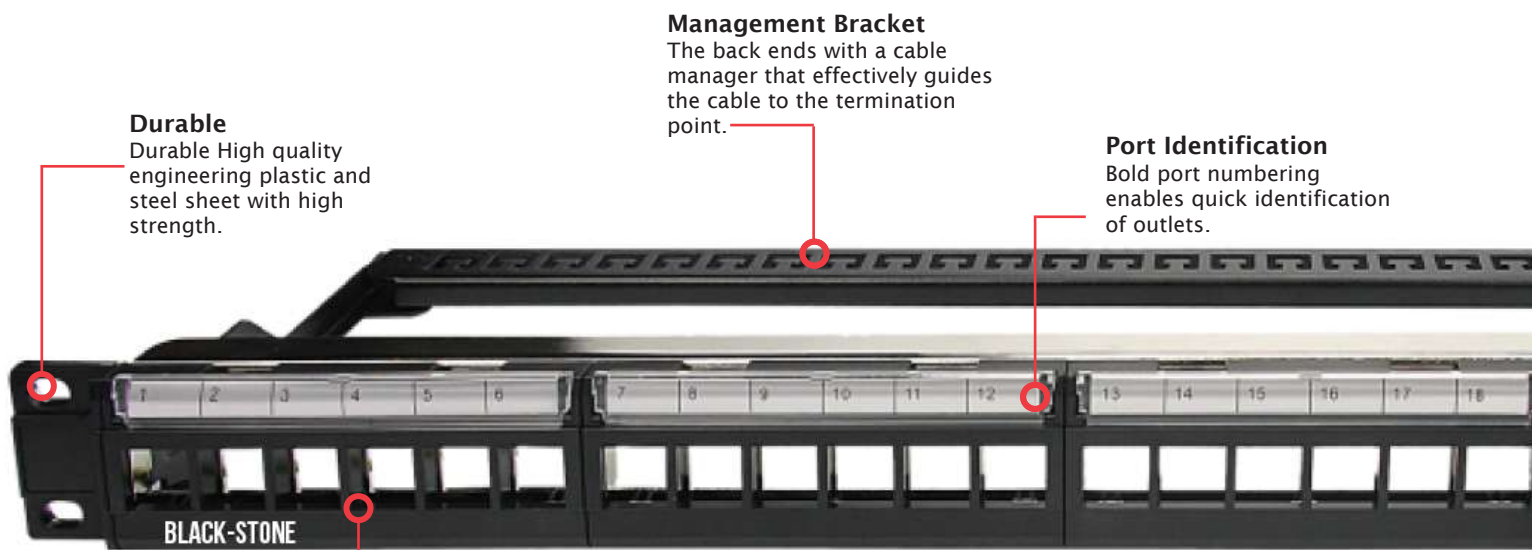


BLACK-STONE PATCH PANEL PRODUCT OVERVIEW

The 19-inch patch panels from BLACK-STONE not only offer exceptional performance and reliability in a high-density, shielded modular solution, but they also come with a lifetime warranty. Outlets can be effortlessly snapped into position and the durable grounding tabs ensure each outlet is adequately grounded, eliminating the need for secondary grounding procedures.

This design feature greatly reduces the overall installation time. With the added confidence of a lifetime warranty, you can trust in the enduring quality and performance of BLACK-STONE's patch panels.



BLACK-STONE CAT 6A FTP 24-PORT PATCH PANEL 24 KEYSTONE JACK INCLUDED - FULLY LOADED



DISCRIPTION

Boost your network performance and adapt to changes effortlessly with our Rack-Mount Blackstone Patch Panel. CAT6A FTP 24 port patch panel, modular tool free type, surpassed all CAT6A performance requirements, comply with Gigabit Ethernet application system, providing up to 500MHz available bandwidth.

FEATURES

- Unique exterior design, simple and compact with beautiful appearance.
- High strength die-cast zinc alloy shield case shielding meet industry standards.
- Comply with ergonomic principle and with termination-free design.
- Solid and corrosion phosphor bronze IDC enables over 250 terminations.
- With backward compatibility of CAT6 and lower classes.
- Easy installation, low cost, easy operation.
- Be compatible with 19-inch cabinets.
- Phosphor bronze contact with 15 μ , 30 μ , 50 μ gold plate can choose , durability is over 1000 matching recycles.

SPECIFICATION

Patch panels shall meet or exceed the channel requirements for Cat 6A described in ANSI/TIA-568.2-D and ISO 11801, and shall be packed with the appropriate number of Cat 6A connectors.

Connectors shall feature both T568A and T568B wiring configurations, mounting standoffs for cable management bars, and front write-on labeling. Panels shall be made of 16-gauge steel and shall have a black painted finish with white silk-screening.

The plastic elements shall be fire retardant with a UL flammability rating of 94V-0. Panels shall be offered in 24- and 48-port configurations. Panel shall have the ability to allow for single port replacement of inoperative ports. for single port replacement of connectors.

DESIGN CONSIDERATIONS

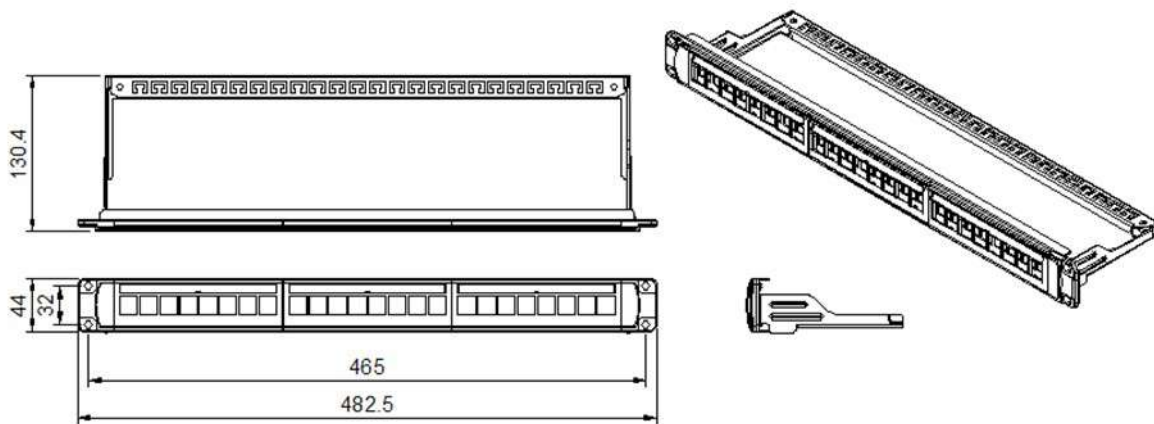
- Mounts on 19-inch equipment racks
- Panel offered in 24- or 48-port configurations
- One cable management bar included per panel

Black-stone

STANDARDS COMPLIANCE

- ANSI/TIA-568.2-D.
- ISO 11801 Class EA.
- cULus Listed.
- IEEE 802.3bt PoE Type 1, 2, 3, 4 (90 watts max).
- Cisco UPOE, UPOE+ (90 watts max).
- Power over HDBaseT™ PoH (95 watts max).

ELECTRONIC FILES



Performance Specification

Dimensions	19" × 1.75"
Capacity	24- and 48-port
Materials	16-gauge steel, painted black; PCB and plastic components.

Order information

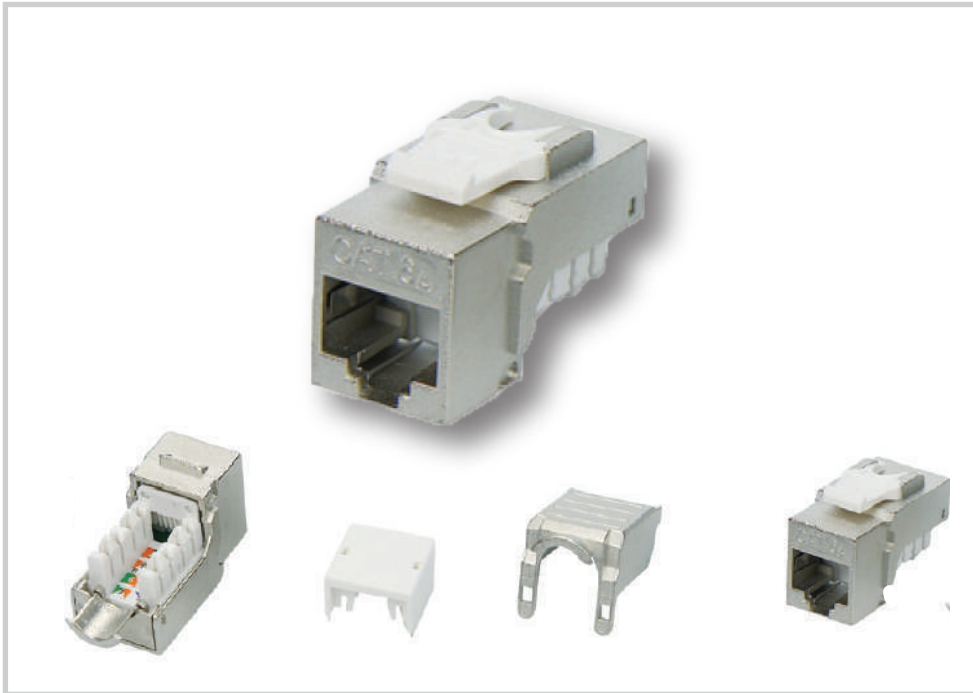
Part No.	BSP-PM60024A
Description	24 ports patch panel fully loaded
Color	Black
Inner box	1 pcs
Carton	10 pcs
Carton measurement	53cm × 31cm × 23cm
Weight	15 KG

Included Parts

4 Screws (10x32); 4 Screws (12x24); 1 Printable Label; 2 Velcro Straps; 2 Rear Cable Management Bracket, 1 Installation Guide, 1 kit Termination, 24 keystone jack

Black-stone Keystone Jack

Cat6A RJ45, Shielded, Dust Cap, PoE/
PoE+ Compliant, TAA, CE



PART NUMBER: BSKJS18106-A

RJ45 keystone jack lets you terminate your Cat6a/6/5e network patch cable without using a punch down tool

Features

Keystone Jack Strengthens Your High-Speed Cat5e/Cat6/Cat6a Network Terminate your network patch cable without the time, effort and expense of a punch down tool. Ideal for Cat6 premise wiring, the RJ45 keystone jack snaps into wall plates, patch panels and surface-mount boxes and works with all shielded Cat6a cables. punch down connection is compatible with 22–24 AWG solid wire cabling. A dust cap protects the jack from dust and other contaminants when not in use.

Specifically Designed for Use in Surveillance, VoIP and Other PoE+ Applications To maximize performance with PoE (Power over Ethernet) applications, this keystone jack is specifically designed to prevent spark gap erosion that degrades the plug and jack contacts over time and can negatively influence data and/or power transmission capabilities. Connecting PoE devices saves you the expense and effort of purchasing, connecting and installing individual power supplies for each device.

Heavy Shielding Protects Your Network Data from Destructive Line Noise The fully shielded protective metal housing helps fight against EMI/RFI line noise that interferes with your network signal and can distort or destroy data.

TAA-Compliant, CE

Highlights

- RJ45 termination is quick and easy with no punch down tools required.
- Supports PoE+ to save you expense and effort of powering PoE devices individually.
- Specially designed to prevent spark-gap erosion that can affect transmission.
- Disperses EMI/RFI line noise that can destroy data and affect equipment performance.
- Includes dust cap to protect end from dust and debris when not in use.

Applications

- Connect a Cat6a network with PoE+ devices mounted in areas that are difficult to reach or have no electrical outlets.
- Set up indoor digital signage in offices, hotels, restaurants, bars, bus stations and airports.

Package Includes

BSKJS18106-A Keystone Jack Cat6a,
Shielded, TAA
Dust cap
Quick Start Guide

Keystone Jack

Specifications

OVERVIEW	
Part number	BSKJS18106-A
Product Type	Tool
Technology	Cat6a
PHYSICAL	
Color	Silver; White
Connector Color	Silver; White
Housing Color	White; Gray
Shipping Dimensions (hwd / in.)	L 21cm x W 12.3cm x H 9.21cm
Shipping Dimensions (hwd / cm)	L 53.5 cm x W 31.3cm x H 23.4cm
Shipping Weight (lbs.)	16.60KG
Shipping Weight (kg)	7.60KG
Unit Dimensions (hwd / in.)	0.760 x 0.860 x 1.350
Unit Dimensions (hwd / cm)	1.92 x 2.19 x 3.43
ENVIRONMENTAL	
Operating Temperature Range	14° to 140°F (-10° to 60°C)
Storage Temperature Range	-40° to 154°F (-40° to 68°C)
Relative Humidity	10% to 90% RH, Non-Condensing
CONNECTIONS	
Number of Ports	1
Side A - Connector 1	RJ45 (FEMALE)
Side B - Connector 1	110 IDC
PoE Type	Type 4 High-Power (100W, IEEE 802.3bt)
STANDARDS & COMPLIANCE	
Product Compliance	(TT568A/T568B)
WARRANTY & SUPPORT	
Product Warranty Period (Worldwide)	Lifetime limited warranty