

Black-stone UK External Back Box

DISCRIPTION

Blackstone UK External Back Box is Suitable for different kinds of faceplate installation, widely used in working area network.

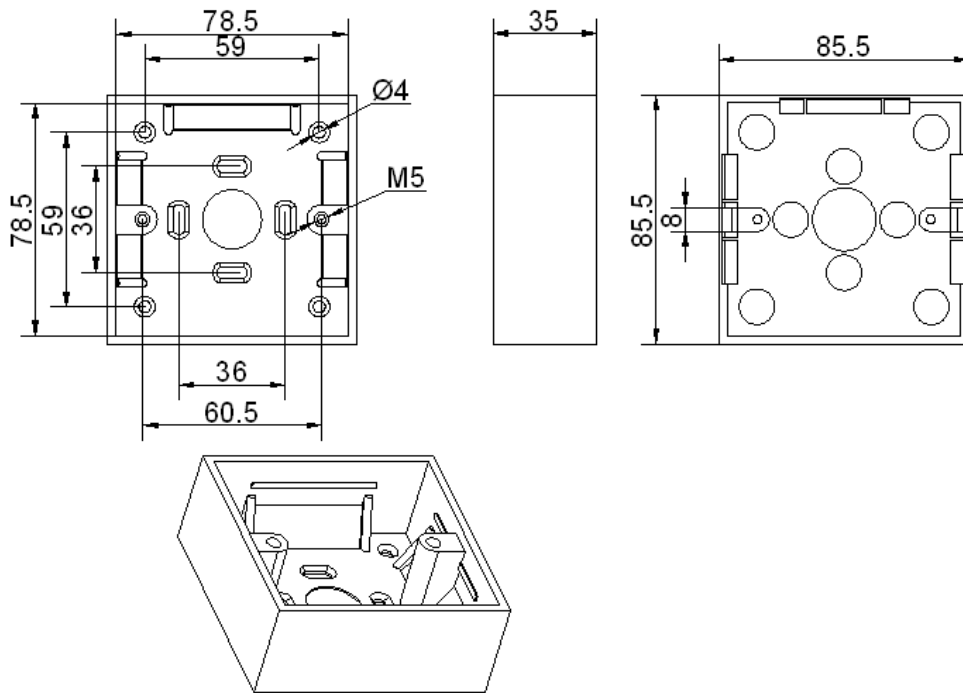
FEATURES

- Fit for installation of 86 style faceplate
- Made of high quality ABS&PC plastic to avoid scratching, with detachablesurface faceplate.



PART NO: BSCFBX-UK-001

ELECTRONIC FILES



Order information

Part No.	Description	Color	Carton	Carton measurement	Weight
BSCFBX-UK-001	UK External Back Box	White	100pcs	44cm× 38cm × 19cm	5 kg
BSCFBX-US-001	US External Back Box	White	100pcs	44cm× 38cm × 19cm	5 kg
BSCFBX-US-002	US Internal Back Box	White	100pcs	44cm× 38cm × 19cm	5 kg